

DMX 5

UWL COLOR CONTROLLER

The DMX controller is a touch screen-based lighting controller designed to work with the range of UWL DMX controllable lights. It can operate as a single standalone controller using the integrated touch screen or can be integrated into the Garmin One Helm and other systems are pending.

A range of pre-programmed lighting scenes are included within the product, additional custom scenes can be configured by your authorised UWL dealer.

The controller has been designed to be mounted into a helm control panel using the included fixings and "O" ring. Cable tails are provided on the rear of the controller. The UWL controller can also control any other supplemental color change lights onboard.

Matching connectors are provided for the ship run cables to be connected to the controller as well as connection to a DC supply between 12V and 24V.



Control
Touchscreen



DMX 5
512 Channel



Sunlight Viewable
High Brightness



Power
12-24vDC



Installation
Panel Mount



Hole Cut Out

5 23/64" x 3 7/16" / 136mm x 79mm



No. of Lights
Refer to manual



Viewing Angle
Wide



Waterproof
IP64



IPX8
Underwater
RATED

DMX 5

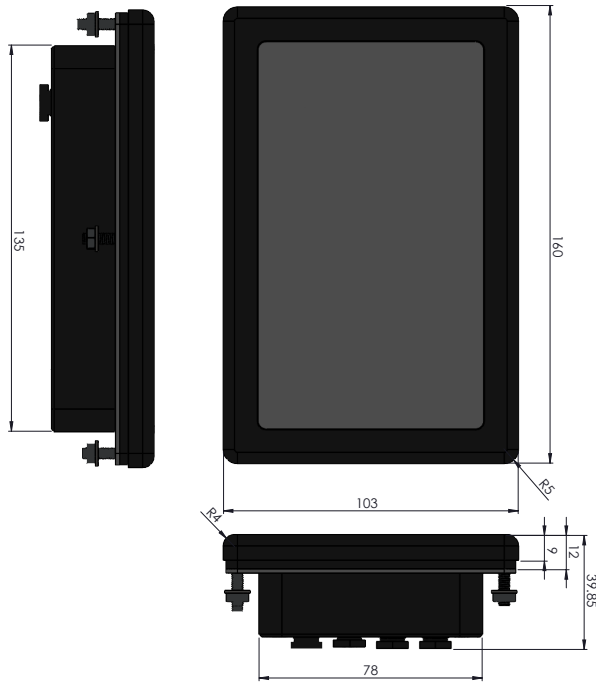
UWL Color Change Controller

Technical

No. of lights (max)	Refer to manual
Screen Type	High Brightness LED
Dimmable	Yes
Screen Protection	Cover Provided
Supply Voltage Range	12-24vDC
Max Current Draw 12/24v	500mA
Surge Protection	Up to 36vDC
Reverse Polarity Protection	Yes
Warranty	1 Year
Water Ingress Protection	IP64

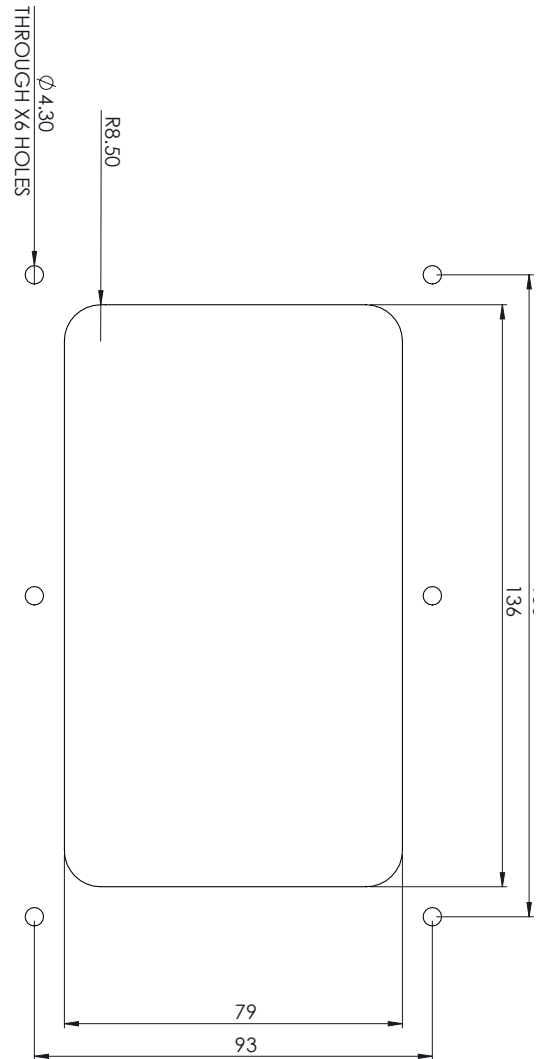
Physical

Panel Mount	x6 Screw Bolts
Length	6 19/64" (160mm)
Width	4 1/16" (103mm)
Profile (height)	15/32" (12mm)
Cable Length	2m
Hole Cut-out	5 23/64" x 3 7/16" (136mm x 79mm)



Part Number

UWL Controller



Underwater Lights Limited

UK Design and Production

The Great Dunton Forge, London Road,
Dunton Green, Sevenoaks, Kent, TN13 2TD UK.
T: +44 (0) 1732 455753 • F: +44 (0) 1732 743233

USA Sales

T: +1 954 604 4024

E: uwl@underwaterlights.com

www.underwaterlights.com

Your Local Dealer

