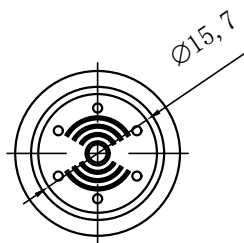
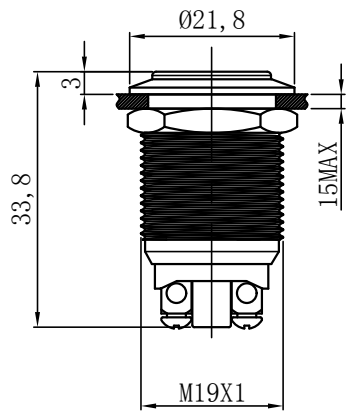
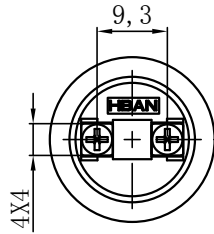
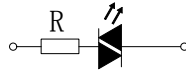




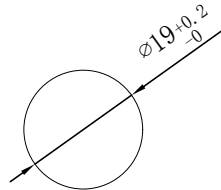
UNIT: mm



Lamp bead equivalent circuit:



Mounting hole size:



Technical requirements:

1. Surface is smooth without burr;
2. Clear handwriting of parameters/batches without any dislocation;
3. Electrical parameters:DC6V/12V/24V;
4. Working environment temperature: -25°C~+65°C;
5. Connection form:Matching connectors/Welding wire;
6. Tightening torque:about0.6Nm;
7. Appearance material:
End face: stainless steel;
Housing: stainless steel;
Pedestal: PBT;
8. Unmarked tolerance shall be in accordance with GB/T 1804-m class.
9. Lamp bead parameters: rated voltage :6V/12V/24V;
Rated current: $\leq 20\text{mA}$
10. LED color: Red/Green/Yellow/Orange/Blue/White
11. LED life: 50000 hours.
12. Protection grade: IP65.
13. Sound intensity: $\geq 85\text{dB}$ (0.1 m) $\geq 75\text{dB}$ (1 m).

MEGALED Models:

32351

Blue LED.

12V or 24VDC.

12VDC

32351-12B

24VDC

32351-24B