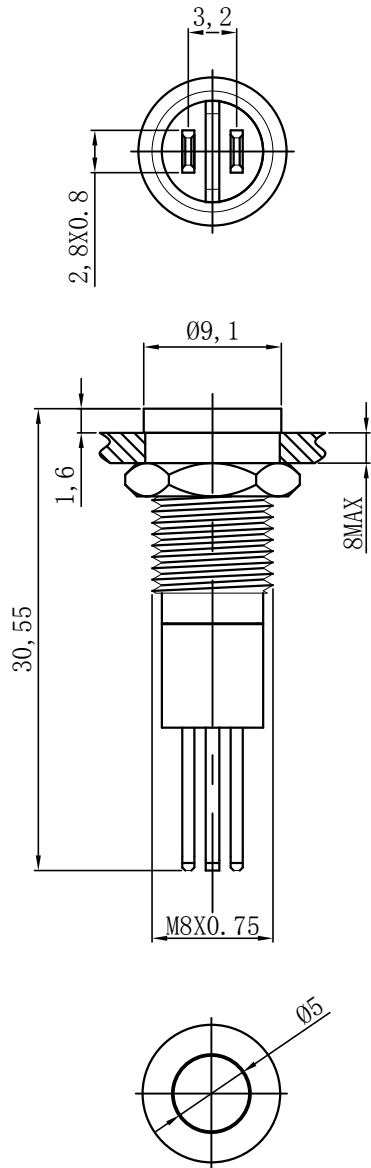




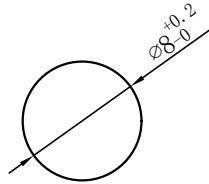
UNIT: mm



Lamp bead equivalent circuit:



Mounting hole size:



Technical requirements:

1. The surface is smooth without burr;
2. Clear handwriting of parameters/batches without any dislocation;
3. Appearance material:
Housing: Nickel-Plated Brass/stainless steel
Base: PA6
4. Unmarked tolerance shall be in accordance with GB/T 1804-m class.
5. Lamp bead parameters: Electric parameter :6V/12V/24V/36V;110V/220V;
Other voltages can be customized;
Rated current: $\leq 20\text{mA}$
6. LED color: Red/Green/Yellow/Orange/Blue/White
7. Led life: 50000 hours.

MEGALED Models:

HB LED Indicator Light

Green or red LED.

12V or 24VDC.

12V

HB-12R

HB-12G

24V

HB-24R

HB-24G