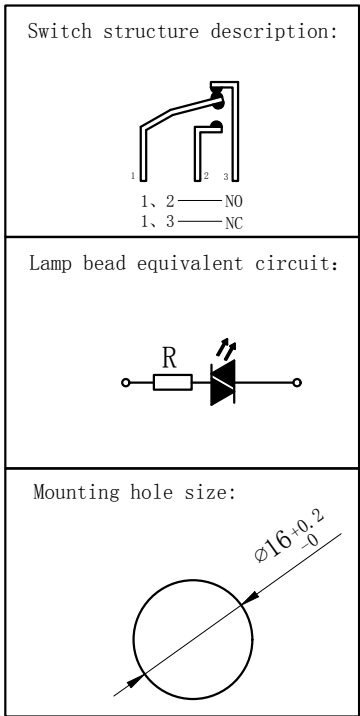
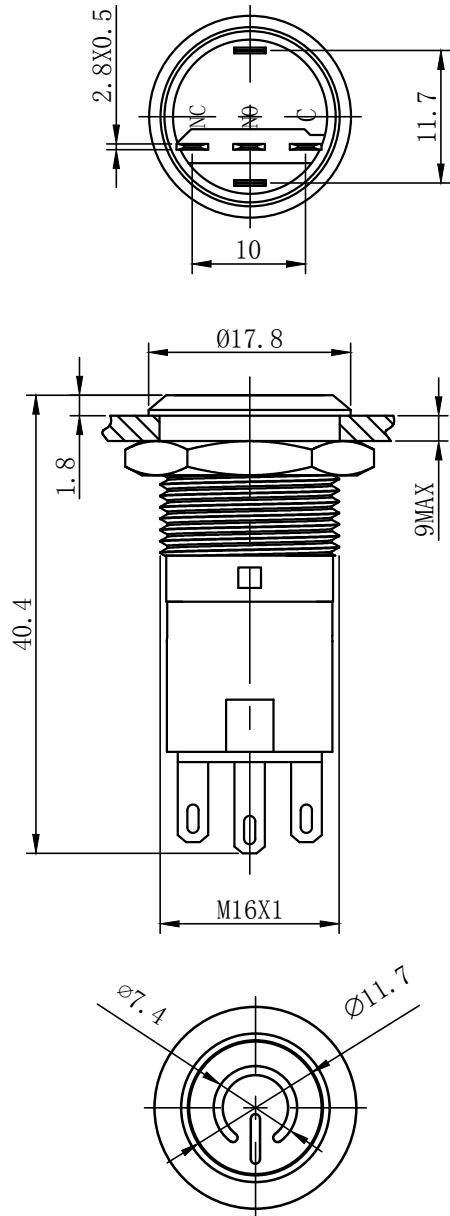




UNIT: mm



Performance requirements:

1. Protection grade: IP67
 2. Contact resistance: $\leq 50m\Omega$
 3. The insulation resistance: $\geq 100M\Omega$
 4. Electrical resistance: AC2500V, 1min, no flicker and breakdown;
 5. Life: Electrical part: operate 50,000 times under rated load without any abnormality.
- Mechanical part: no abnormal movement for 1000,000times

Technical requirements:

1. The surface is smooth without burr;
2. Clear handwriting of parameters/batches without any dislocation;
3. Electric parameter: 5A U_i : 250V;
4. Working environment temperature: $-25^{\circ}C \sim +65^{\circ}C$;
5. Operation type: Momentary; Latching ;
6. Movement stroke: about 3.2mm
7. Connection form: Matching connectors/Welding wire;
8. Tightening torque: about 0.4Nm;
9. Contact configuration: 1NO1NC;
10. Appearance material:
Button surface: PC/Stainless steel; PC/Nickel-Plated Brass;
Housing: Stainless steel; Nickel-Plated Brass
Pedestal: PBT;
Contact silver alloy
11. Unmarked tolerance shall be in accordance with GB/T 1804-m class.
12. Lamp bead parameters: Electric parameter : 6V/12V/24V/36V; 110V/220V;
Other voltages can be customized;
Rated current: $\leq 20mA$
13. LED color: Red/Green/Yellow/Orange/Blue/White
14. Led life: 50000 hours.

MEGALED Models:

32359 Momentary or Latching
Blue or red LED.
12V or 24VDC.

Momentary:

32359-B12M
32359-R12M
32359-B24M
32359-R24M

Latching:

32359-B12L
32359-R12L
32359-B24L
32359-R24L