

1. Home
2. Products
3. Product catalogue
4. General products (21X.00) - 01/01/2023



Idea: Frame 2reducedM+claws for $\varnothing 60\text{mm}$

17082

Idea / Mounting frames / For round boxes

Frame 2reducedM+claws for $\varnothing 60\text{mm}$

2-reduced-module mounting frame, with claws, for $\varnothing 60\text{ mm}$ round flush or 09971 surface mounting boxes

Product Status

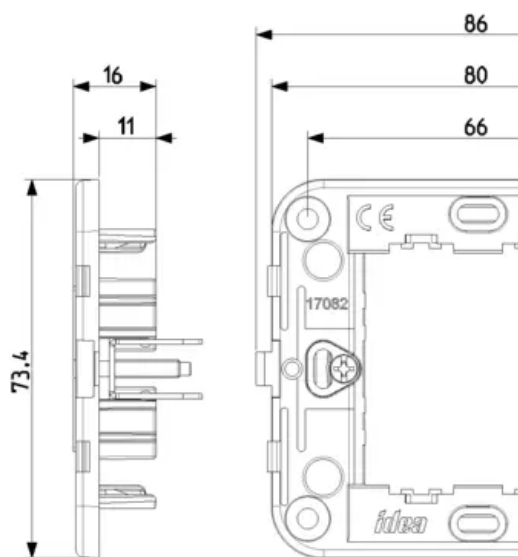
3 - Active

Minimum order quantity

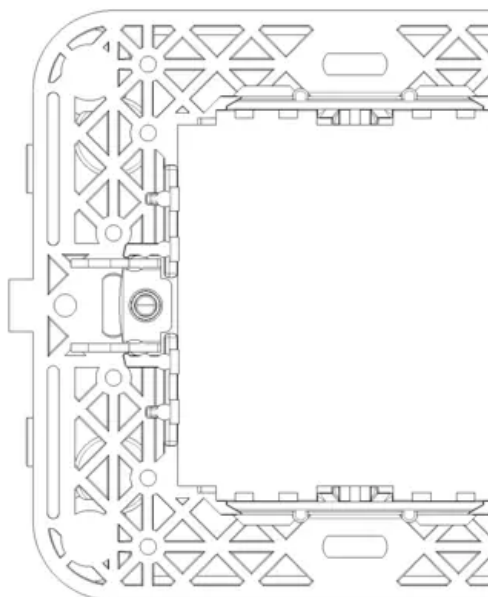
50 NR



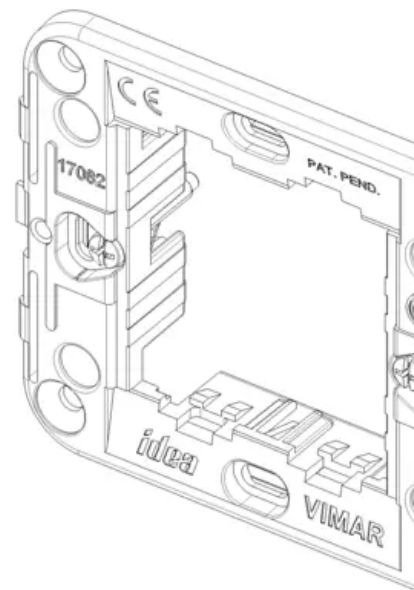
Drawings



Space view



Backside view



3D View

Technical data

- **Class group:** Domestic switching devices
- **Class:** Holder for modular domestic switching devices
- **Model:** Flush mounted (plaster)
- **Mounting method:** Mounting with claw
- **Mounting method of the module inserts:** Back side
- **Mounting direction:** Horizontal and vertical
- **Number of modules horizontal (module system):** 2
- **Number of modules vertical (module system):** 1
- **With built-in installation box:** No
- **With screws:** No
- **Suitable for mounting in round junction box 60 mm:** Yes
- **Flush-mounted installation:** Yes
- **Suitable for floor box:** No
- **Suitable for wall duct:** No
- **Suitable for mounting on DIN-rail 35 mm:** No
- **Material:** Plastic
- **Material quality:** Thermoplastic

Certifications

- 00. CE Marking - EU
- 01. IMQ - Italy (download)
- 37. Marking - Morocco
- 43. UKCA mark - Great Britain
- 96. Electrotechnical expert (download)

Packaging



8 007352045514
Code 8007352045514
Quantity 1 NR
Dim. 8,5x7,5x1,5 [cm]
Weight 23 [g]



8 007352006218
Code 8007352006218
Quantity 50 NR
Dim. 31x24,8x8,7 [cm]
Weight 1,324.67 [g]

Legal

Vimar reserves the right to change at any time and without notice the characteristics of the products reported. Installation should be carried out by qualified staff in compliance with the current regulations regarding the installation of electrical equipment in the country where the products are installed. For the terms of use of the information on the product info sheet see [Conditions of Use](#).

