

1. Home
2. Products
3. Product catalogue
4. General products (21X.00) - 01/01/2023



Idea: Frame 2red.M no/screws $\varnothing 60/56 \times 56$ mm

17087

Idea / Mounting frames / For square boxes

Frame 2red.M no/screws $\varnothing 60/56 \times 56$ mm

2-reduced-module mounting frame, without screws, for 60 mm fixing centers, 56x56 mm flush or 09971 surface mounting boxes, grey

Product Status

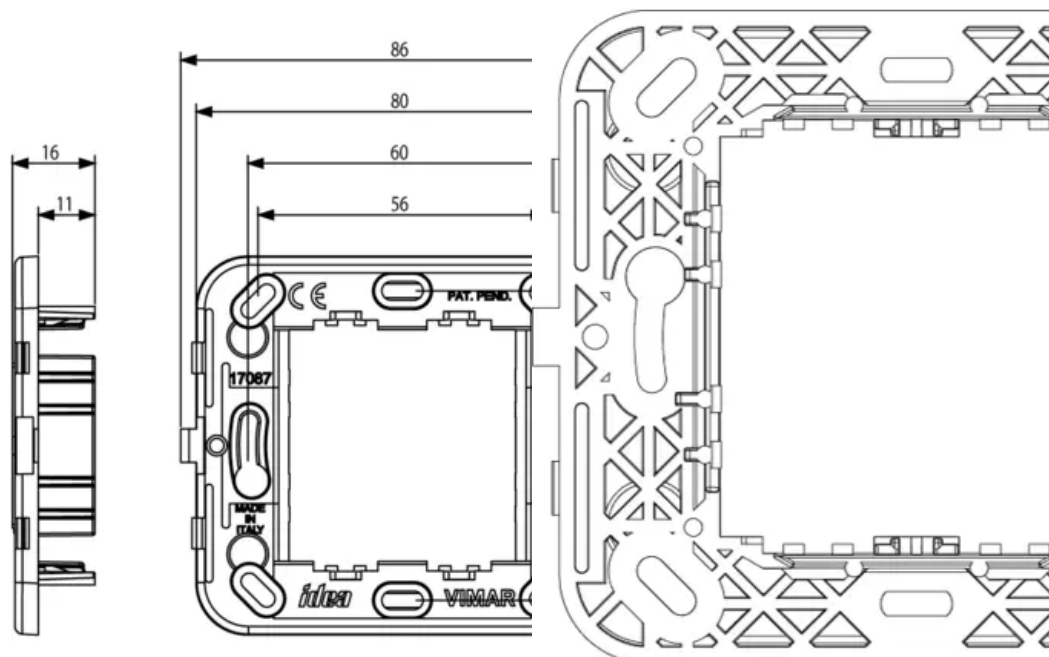
3 - Active

Minimum order quantity

50 NR

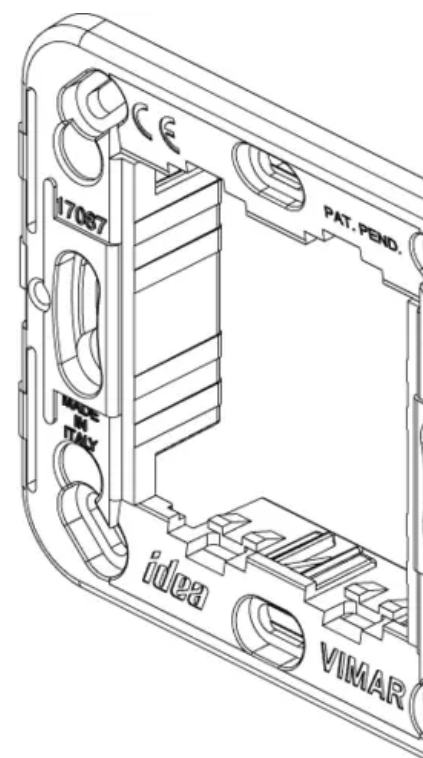


Drawings



Space view

Backside view



3D View

Technical data

- **Class group:** Domestic switching devices
- **Class:** Holder for modular domestic switching devices
- **Model:** Flush mounted (plaster)
- **Mounting method:** Mounting with screw
- **Mounting method of the module inserts:** Back side
- **Mounting direction:** Horizontal and vertical
- **Number of modules horizontal (module system):** 2
- **Number of modules vertical (module system):** 1
- **With built-in installation box:** No
- **With screws:** No
- **Suitable for mounting in round junction box 60 mm:** No
- **Flush-mounted installation:** Yes
- **Suitable for floor box:** No
- **Suitable for wall duct:** No
- **Suitable for mounting on DIN-rail 35 mm:** No
- **Material:** Plastic
- **Material quality:** Thermoplastic

Certifications

- 00. CE Marking - EU
- 01. IMQ - Italy (download)
- 37. Marking - Morocco
- 43. UKCA mark - Great Britain
- 96. Electrotechnical expert (download)

Packaging



8 0 0 7 3 5 2 0 9 6 6 5 3
Code 8007352096653
Quantity 1 NR
Dim. 8.5x7.5x1.5 [cm]
Weight 16.67 [g]



8 0 0 7 3 5 2 0 9 6 6 6 0
Code 8007352096660
Quantity 50 NR
Dim. 30.5x21.2x11.4 [cm]
Weight 997.27 [g]

Legal

Vimar reserves the right to change at any time and without notice the characteristics of the products reported. Installation should be carried out by qualified staff in compliance with the current regulations regarding the installation of electrical equipment in the country where the products are installed. For the terms of use of the information on the product info sheet see [Conditions of Use](#).

