

- 1. Home
- 2. Products
- 3. Product catalogue
- 4. General products (21X.00) - 01/01/2023



Idea: Frame 5M +screws

16715

Idea / Mounting frames / For rectangular boxes

Frame 5M +screws

5-module mounting frame, with screws, for 5-module mounting boxes, grey

Product Status

3 - Active

Minimum order quantity

20 NR



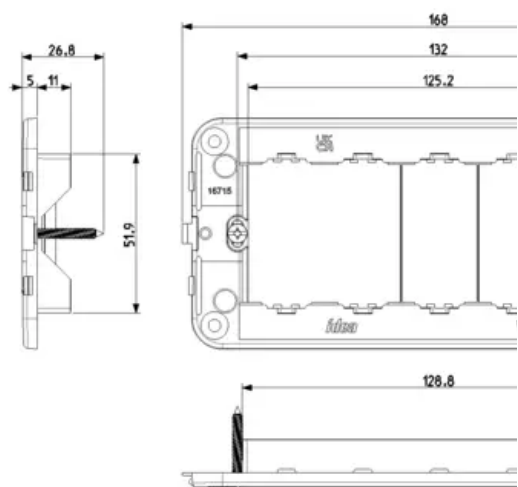
You may also be interested in



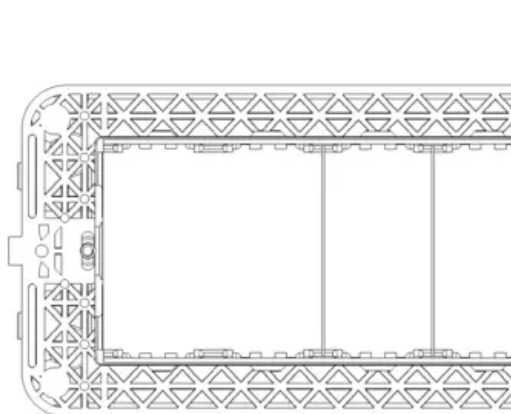
07937 - Screw for frame fixing - 35mm

07939 - Screw for frame fixing - 50mm

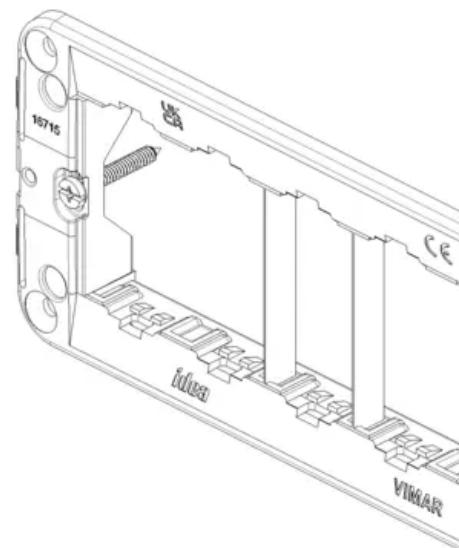
Drawings



Space view



Backside view



3D View

Technical data

- **Class group:** Domestic switching devices
- **Class:** Holder for modular domestic switching devices
- **Model:** Flush mounted (plaster)
- **Mounting method:** Mounting with screw
- **Mounting method of the module inserts:** Back side
- **Mounting direction:** Horizontal and vertical
- **Number of modules horizontal (module system):** 5
- **Number of modules vertical (module system):** 1
- **With built-in installation box:** No
- **With screws:** Yes
- **Suitable for mounting in round junction box 60 mm:** No
- **Flush-mounted installation:** Yes
- **Suitable for floor box:** No
- **Suitable for wall duct:** No
- **Suitable for mounting on DIN-rail 35 mm:** No
- **Material:** Plastic
- **Material quality:** Thermoplastic

Certifications

- 00. CE Marking - EU
- 01. IMQ - Italy (download)
- 15. CCC - China (download)
- 37. Marking - Morocco
- 43. UKCA mark - Great Britain
- 96. Electrotechnical expert (download)

Packaging



Code 8007352070332
Quantity 1 NR
Dim. 14.3x7.5x2.1 [cm]
Weight 31.13 [g]



Code 8007352070349
Quantity 20 NR
Dim. 28.4x18.4x11.6 [cm]
Weight 747.87 [g]



Code 8007352644540
Quantity 160 NR
Dim. 59.5x38.5x26.5 [cm]
Weight 6,704 [g]

Legal

Vimar reserves the right to change at any time and without notice the characteristics of the products reported. Installation should be carried out by qualified staff in compliance with the current regulations regarding the installation of electrical equipment in the country where the products are installed. For the terms of use of the information on the product info sheet see Conditions of Use.

