

1. Home
2. Products
3. Product catalogue
4. General products (21X.00) - 01/01/2023



Enclosures and mounting boxes: IP55 flush-box grey

13731.S

Enclosures and mounting boxes / IP40 and IP55 series / IP55 covers

IP55 flush-box grey

IP55 3-module flush mounting box for covers 13731.Q, 13731.Q.A and 13733.Q, 13733.Q.A,

Product Status

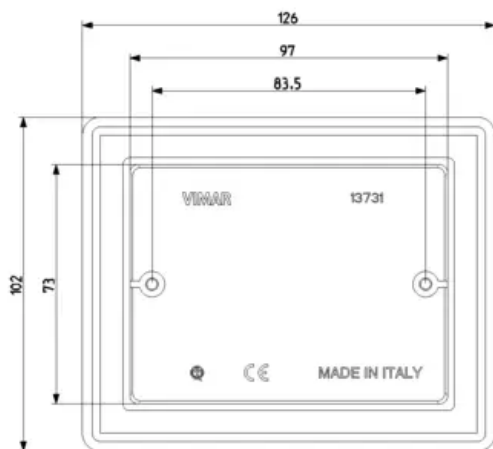
3 - Active

Minimum order quantity

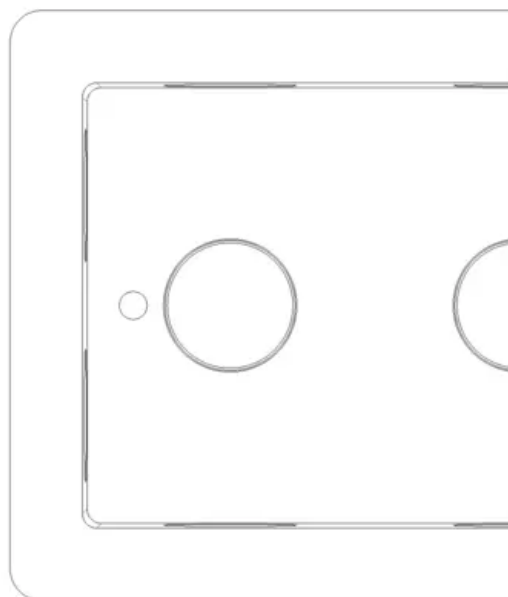
10 NR



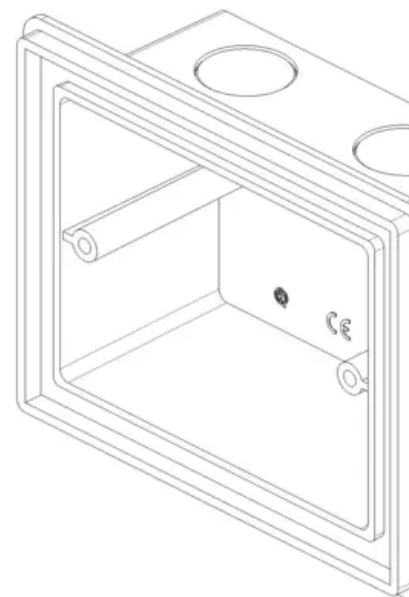
Drawings



Space view



Backside view



3D View

Technical data

- **Class group:** Connection devices
- **Class:** Equipment carrier for insulated walls
- **Material:** Plastic
- **Mounting surfaces:** Other
- **With full insulating materials:** Yes

Certifications


- 01. IMQ - Italy (download)
- 37. Marking - Morocco
- 96. Electrotechnical expert (download)

Packaging



8 0 0 7 3 5 2 0 3 1 7 6 0

Code	8007352031760
Quantity	1 NR
Dim.	11.4x9x2.62 [cm]
Weight	67.0 [g]



8 0 0 7 3 5 2 0 3 1 7 7 7

Code	8007352031777
Quantity	10 NR
Dim.	28.4x24.4x11.9 [cm]
Weight	833.13 [g]



8 0 0 7 3 5 2 6 4 9 9 6 5

Code	8007352649965
Quantity	60 NR
Dim.	59.5x38.5x26.5 [cm]
Weight	5,718 [g]

Legal

Vimar reserves the right to change at any time and without notice the characteristics of the products reported. Installation should be carried out by qualified staff in compliance with the current regulations regarding the installation of electrical equipment in the country where the products are installed. For the terms of use of the information on the product info sheet see Conditions of Use.

