

63,56 [2,5]

103,5 [4,07]  
 81,5 [3,21]  
 77,5 [3,05]  
 35 [1,38]  
 14 [,55]  
 0 [0]

↑ C

C

1,52 [,06]  
 White 135°

1,49 [,06]  
 0 [0]

Green 112,5°

Red 112,5°

CL

40°  
 3x120°  
 Ø130 [Ø5,12]  
 Ø111,2 [Ø4,38]  
 Mounting holes  
 3xØ6,1 [Ø,24]

Dimensions: Millimetres [Inches]  
 Estimated weight: 0,79 kg (1,74 lbs)

TITLE: 201-005-B TB 2nm Tricolor On a 400-404 PE base plate					
DRAWING No.: 201-005-B TB			Sheet No.: 1	DRAWN BY: LSA	
SCALE: 1 : 2	SIZE: A3	REV. NO.:	TOLERANCES: DS/ISO 2768-f	REVIEWED BY:	CREATION DATE: 02-06-2025
MATERIAL DESCRIPTION: Alu. EN6082, Acrylic, POM					
<small>(20µ) Silver anodized according to EN ISO 7599 (50µ) Black anodized according to MIL-A 8625F</small>					

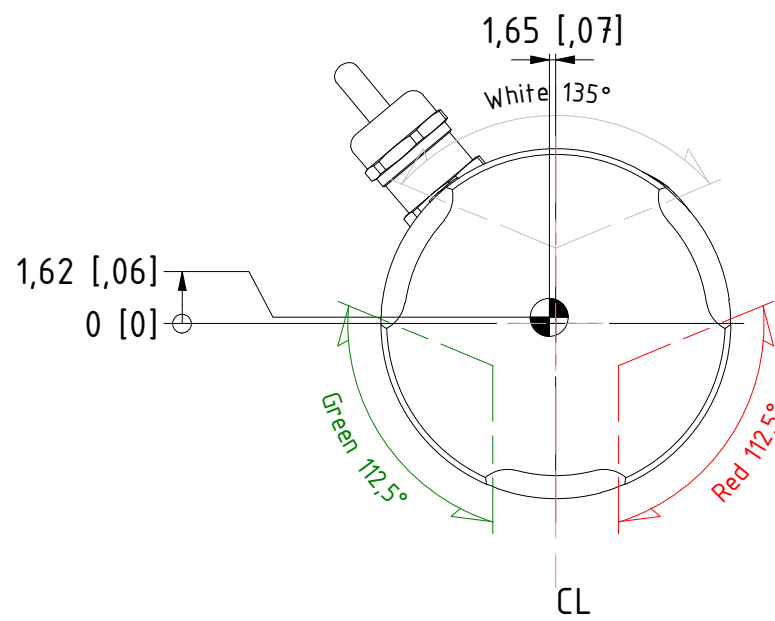
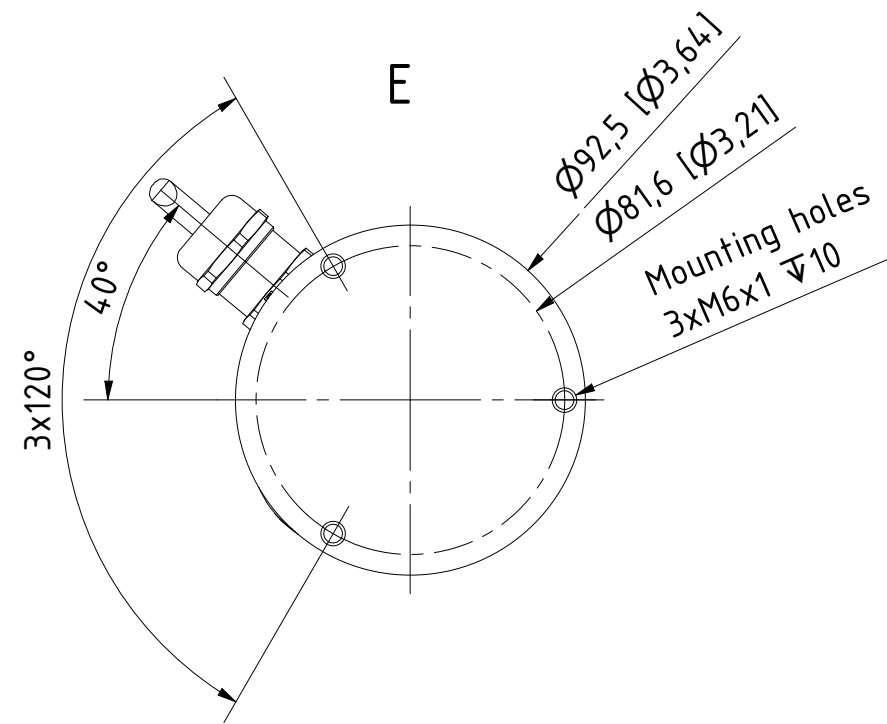
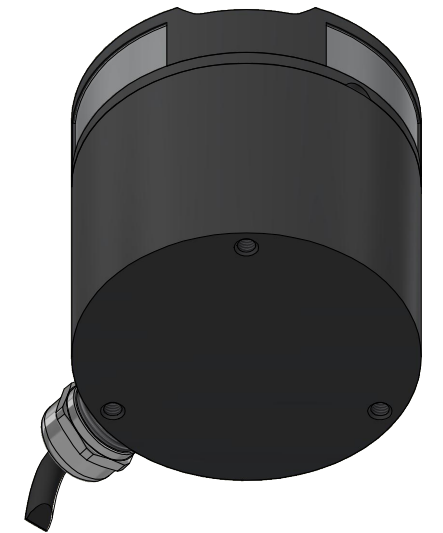
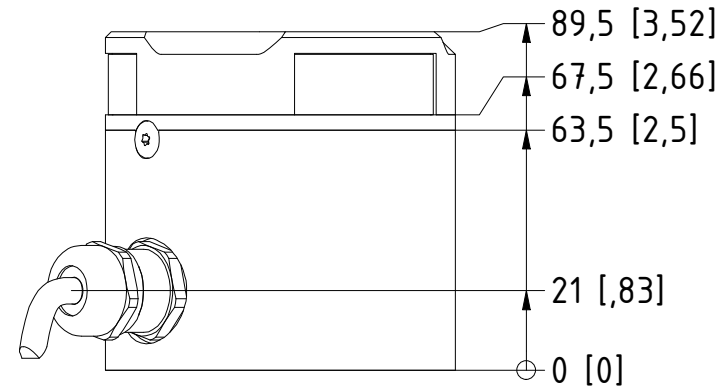
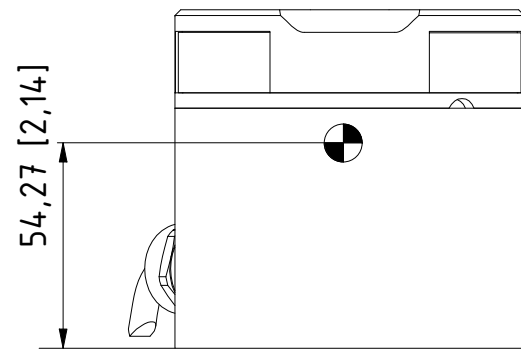
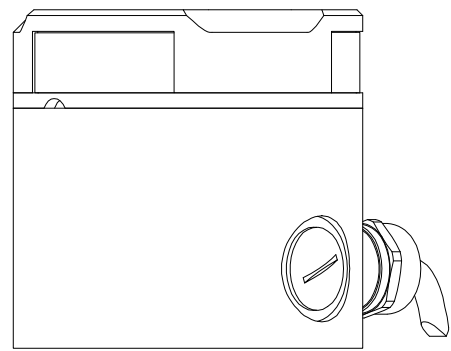
This Drawing, and the information within, is the property of Lopolight ApS and may not be used in any form without express permission there from. Lopolight reserves the right to change this drawing and assumes no liability for the information communicated herein. Use of dimensions and other information in this drawing is at the users own risk.

50MM AT A3



Lopolight ApS  
 Bakkegaardsvej 513  
 DK-3050, Humlebaek  
 Denmark  
 www.lopolight.com

Tel: (+45) 32 48 50 30  
 info@lopolight.com



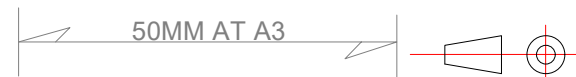
Dimensions: Millimetres [Inches]  
 Estimated weight: 0,63 kg (1,39 lbs)

TITLE: 201-005-B TB 2nm Tricolor					
DRAWING No.: 201-005-B TB			Sheet No.: 2		DRAWN BY: LSA
SCALE: 1 : 2	SIZE: A3	REV. NO.:	TOLERANCES: DS/ISO 2768-f	REVIEWED BY:	CREATION DATE: 02-06-2025
MATERIAL DESCRIPTION: Alu. EN6082, Acrylic, POM, PE					
<small>(20µ) Silver anodized according to EN ISO 7599          (50µ) Black anodized according to MIL-A 8625F</small>					



Lopolight ApS  
 Bakkegaardsvej 513  
 DK-3050, Humlebaek  
 Denmark  
 www.lopolight.com

Tel: (+45) 32 48 50 30  
 info@lopolight.com



This Drawing, and the information within, is the property of Lopolight ApS and may not be used in any form without express permission there from. Lopolight reserves the right to change this drawing and assumes no liability for the information communicated herein. Use of dimensions and other information in this drawing is at the users own risk.