


QTS 100


Exchangeable Thru Hull: The One Light System





QTS 100 Housing

Titanium Bezel
Anodized Aluminum Casing
A4 Stainless Fixings

- 

A **Standard Power DC**
\$1,495.00
White / Blue
Plug and play system
Internal driver
Up to 10,000 lumens
- 

B **Mid Power DC**
\$1,695.00
White
Plug and play system
Internal driver
Up to 14,000 lumens
- 

C **High Power AC**
\$2,395.00
White
External driver
Up to 25,000 lumens
- 

D **Color Change AC**
\$2,995.00
External driver
RGB+W
Brightest color change on market

“the **simplest** solution is **always the best.**”

The new QTS 100 model has taken over 30 years of experience to develop and is arguably the most versatile and complete underwater light ever made for the marine industry in the simplest format possible.

One housing now accommodates a variety of light power outputs, Color Options, Input Powers. Suitable for any boat from 40’ up to the largest 300’+ superyachts.

Made from Titanium the light can now be used on carbon fibre as well as composite/fiberglass saving yards and installers hours/days on installation and potential warranty concerns through galvanic corrosion.

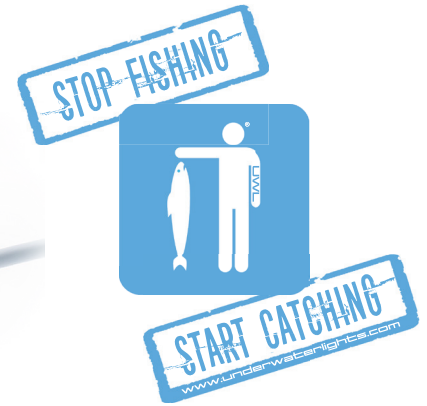
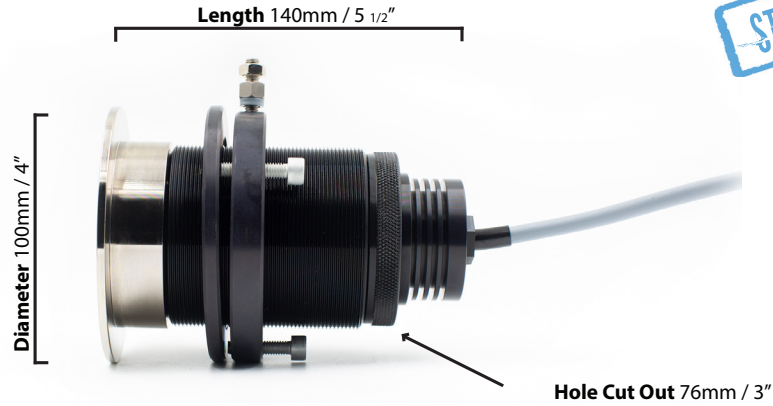
Fitted with a toughened flat lens the beam angle is an ultra wide 140 degrees perfect for running down the side of a yacht as well as along the stern. Available in low and high powers up to 25,000 lumens in blue, white and color change. Naturally the entire range is Lloyds Type approved.

Everything has led to this being the most comprehensive light for the market at a price point that sets the new standard.



QTS 100

Exchangeable Thru-Hull The One Light System



	A Standard Power - DC	B Mid Power DC	C High Power - AC	E Color Change - AC
Part Number	WHITE - QTS-LPW BLUE - QTS-LPB	QTS-LP1W	QTS-HP3W	QTS-RGBW-AC
Price	\$1,495.00	\$1,695.00	\$2,395.00	\$2,995.00
Hull Material	GRP / Fiberglass / Steel / Aluminum / Carbon Fiber			
Beam Angle	140°	140°	140°	140°
Lumens - max on single color	10,000	14,000	25,000	n/a
Min-Max Operating Voltage	12/24vDC	24vDC	110 - 240vAC	110 - 240vAC
Current / Amp draw	7 - 3.5 amp	4 amp	1.4 - 0.7 amp	1.4 - 0.7 amp
Driver Type	Internal	Internal	External	External
Control Options	On / Off Switch	On / Off Switch	On / Off Switch	DMX



Your Local Dealer



Underwater Lights Limited

UK Design and Production
The Great Dunton Forge, London Road,
Dunton Green, Sevenoaks, Kent, TN13 2TD UK.
T: +44 (0) 1732 455753 • F: +44 (0) 1732 743233

USA Sales
T:+1 954 604 4024

E: uwl@underwaterlights.com

www.underwaterlights.com