

TRANBERG® SEARCHLIGHTS

TEF 2650 Searchlight Halogen 1000W/2000W Network Operated

Safe Area



Tranberg's searchlights are all designed for rough environments.

It is the policy of Tranberg to provide products and services that meet the highest standards of quality in the industry and the performance needs and expectations of our customers.

Achievement of this objective requires that all products perform reliably and efficiently and in a manner that assures continuing market competitiveness.

Application

- Halogen searchlight can with advantage be used on fishing boats, tug-boats, supply ships, cargo and tank vessels.
- Dimensions and lamp power depends on type of ship and area of application.

Features and benefits

- Applicable to sub-zero temperatures of -50°C (-58°F)
- Heating in motorhouse.

Options

- Spread filter
- Pedestal
- Canvas cover
- Slave panel
- Anti-condensation heater in drum.
- Remote controlled narrow or wide beam.
- Control panel: See TEF 2613



Technical Data	
Material barrel:	Stainless steel
Material back plate:	Stainless steel
Material mounting:	Crutch - Stainless steel
Material base:	Stainless steel
Material lens:	Toughened soda-lime glass
Material mirror:	Silver plated glass reflector
Finish:	All white surface powder coated (RAL 9010 to 70-80uM).
Ingress protection:	IP56 (DIN40050)
Weight searchlight:	56 kg.
Weight pedestal:	14,5 kg.

TRANBERG STAHL

THE STRONGEST LINK.

R. STAHL TRANBERG AS

Main office | Strandsvingen 6 | N-4032 Stavanger, Norway | T +47 51 57 89 00 | E info.no-st@r-stahl.com | stahl-tranberg.com

TRANBERG® SEARCHLIGHT

TEF 2650 Searchlight Halogen 1000W/2000W Network Operated

Safe Area

Description

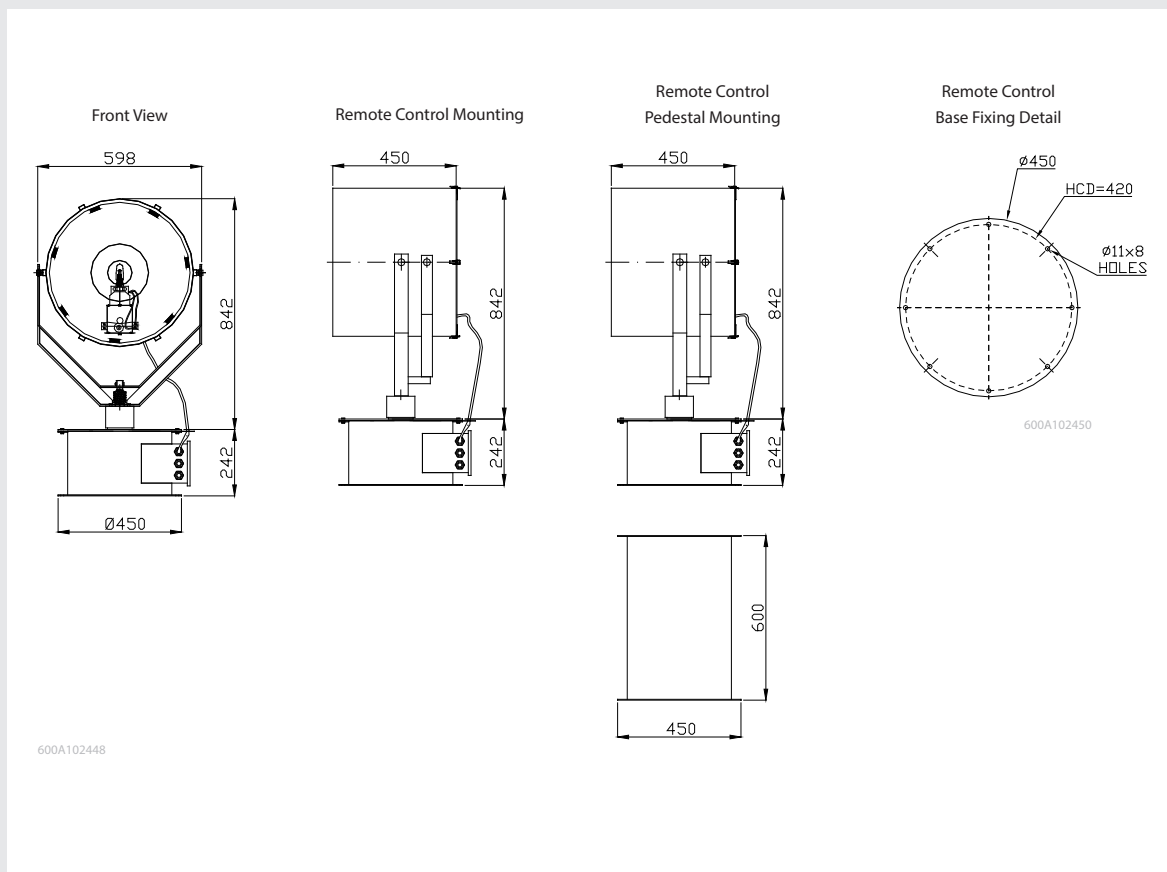
Mirror Size	Watt	Volt	Peak Beam Candela Power	Range M 1 lux at target	Divergence	Pan°	Tilt°	W/o motorfocus part no.	W/ motorfocus part no.	Hanging mounting w/ motorfocus part no.
450 mm (18")										
Halogen	1000	230*	4 x 10 ⁶	2043	7,9 °	370	+20 -30		2650413430	
	2000	230*	5,6 x 10 ⁶	2366	10,8° - 20°**	370	+20 -30	2650415410	2650415430	2650415439

Optical Performance: All data shown above is theoretical and calculated to IES Formulae

*Other voltage on request

**For searchlight with focus

Dimensions



R. STAHL TRANBERG AS

Main office | Strandsvingen 6 | N-4032 Stavanger, Norway | T +47 51 57 89 00 | E info.no-st@r-stahl.com | stahl-tranberg.com

TRANBERG