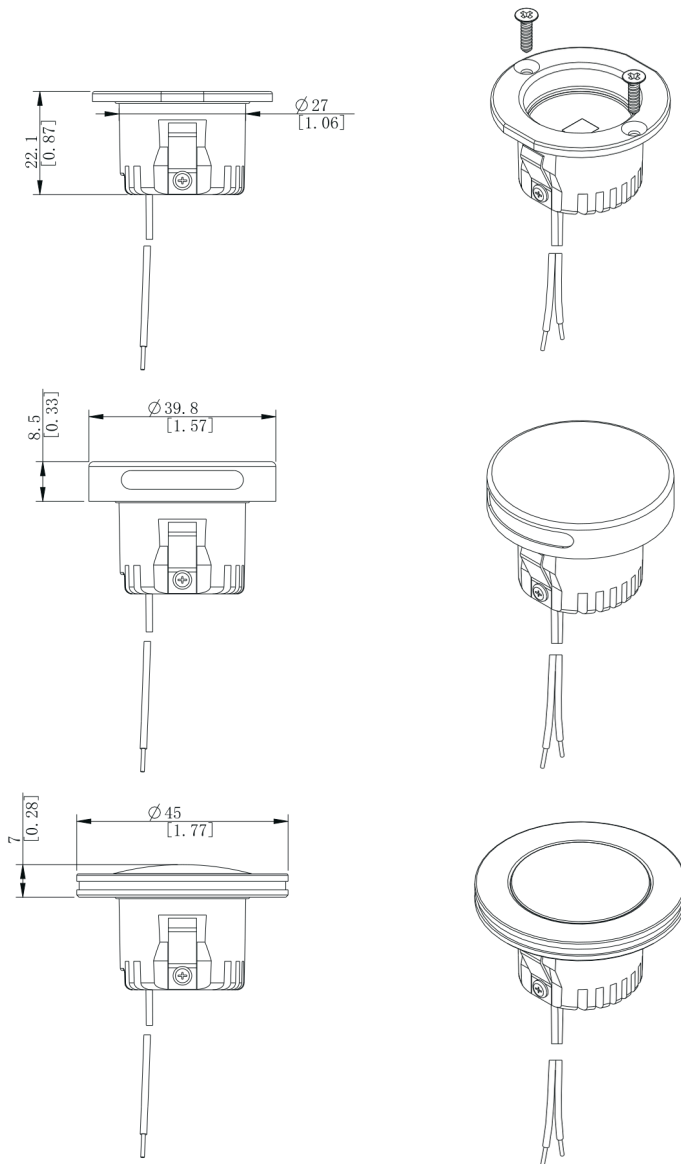


Technical Specification

Operating Voltage	10-30V DC Only
Wattage	1.06 Watts @12V 1.34 Watts @24V
AMPS	0.088A @12V 0.056A @24V
Polarity Sensitivity	Yes
Lumens	Blue: 11lm @12V/ 12lm @24V 3000K: 32lm @12V/ 35lm @24V 4000K: 33lm @12V/ 36lm @24V
Color Temperature	3000K 4000K Blue
Dimmable (PWM Dimming)	Yes
IP Rating	IP67
CRI Rating	80
Cutout	27mm(+0.5mm -0.0mm) 1.06 inches(+0.0196in. -0.0in.)



Before your Begin

Power Off: Ensure that the vessel's power source and battery are disconnected or isolated before starting the installation.

Professional Installation: It is recommended that a qualified professional perform both electrical and mechanical installations.

Compatible Use: The Krios Courtesy Light is designed to function with a basic On/Off switch or it could be dimmed using the Universal Apollo Dimming module. Do not connect it to any third-party lighting control products.

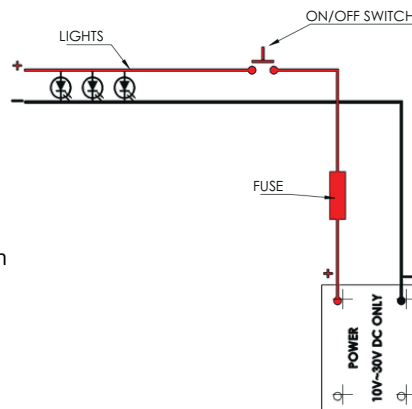
Sealing and Installation: The Krios Courtesy Light is fully sealed which makes it perfect for indoor or outdoor installations (IP67)

Mounting Surface: Select a flat, level surface for installation. The Light should not be mounted on a curved surface.

Heat Considerations: The rear of the light may become warm to the touch. Ensure that the mounting surface is appropriate for this type of light.

Installation Diagram

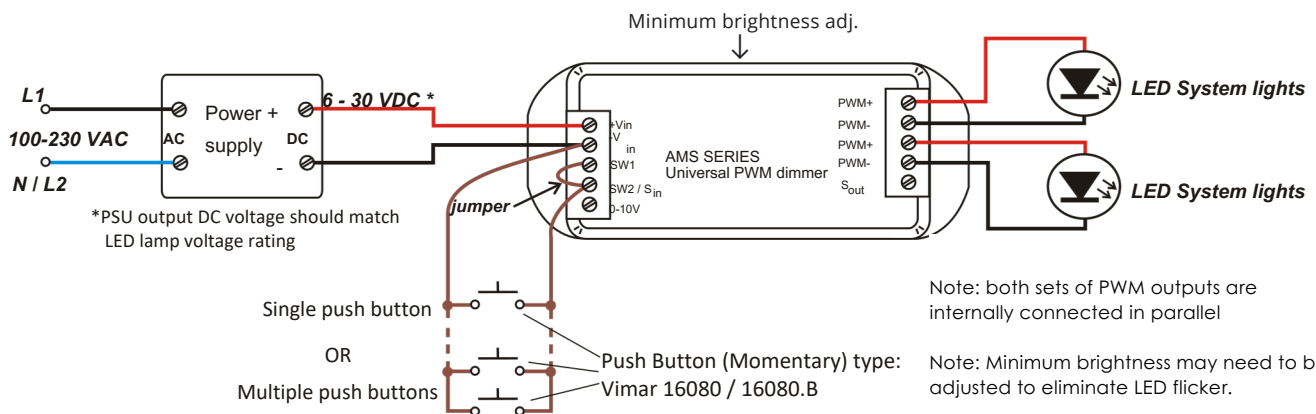
Single On/Off Switch



*If hooking up to battery power put a voltage regulator in line to protect the courtesy light from voltage spikes from battery power.

Installation Diagram

Single Color Dimmable Switch



*PSU output DC voltage should match LED lamp voltage rating

Note: both sets of PWM outputs are internally connected in parallel

Note: Minimum brightness may need to be adjusted to eliminate LED flicker.

Apollo - Universal LED Dimmer Part Numbers:

5 Amps: AMS - 500-X UNIVERSAL

12 Amps: AMS - 1200-X UNIVERSAL