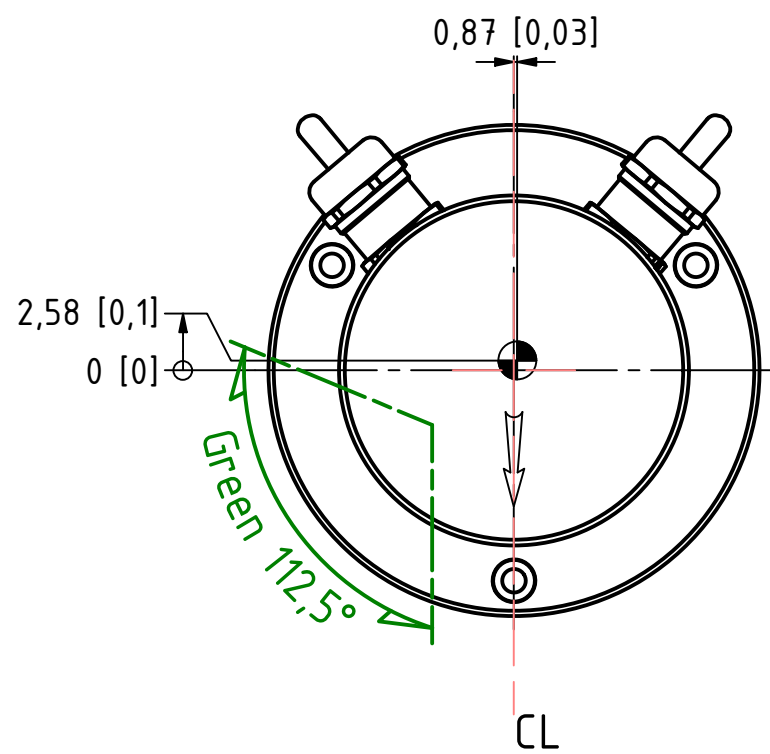
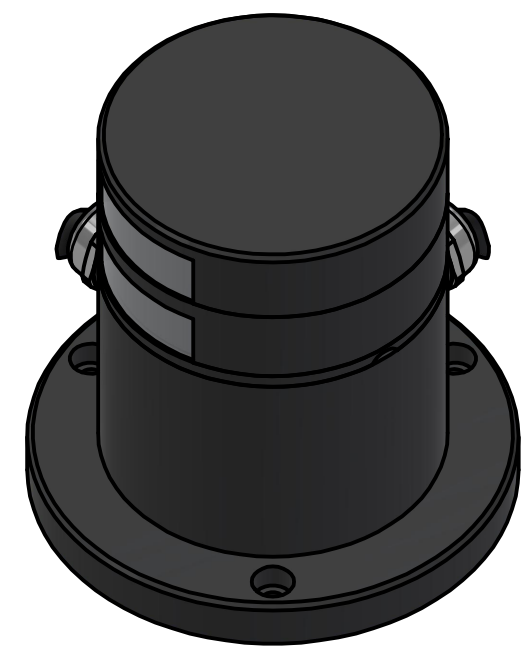
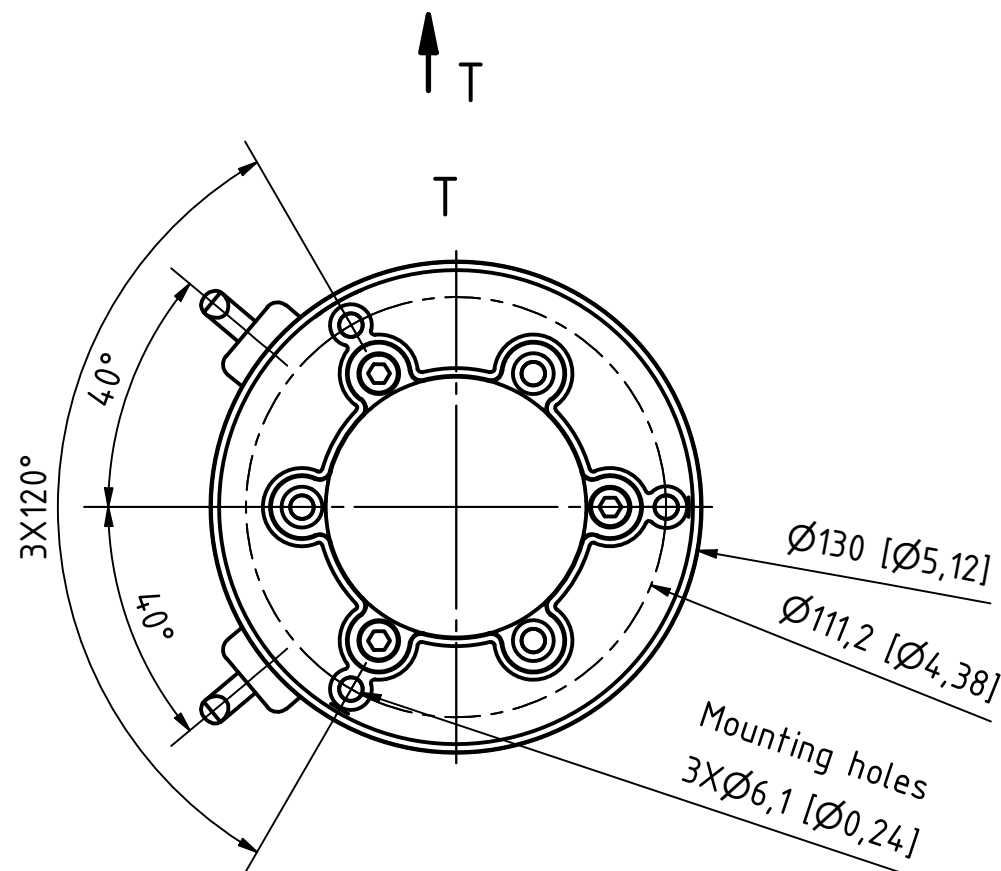
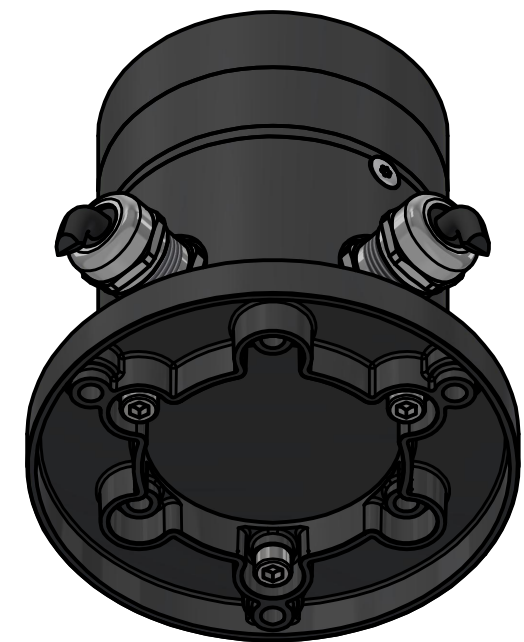
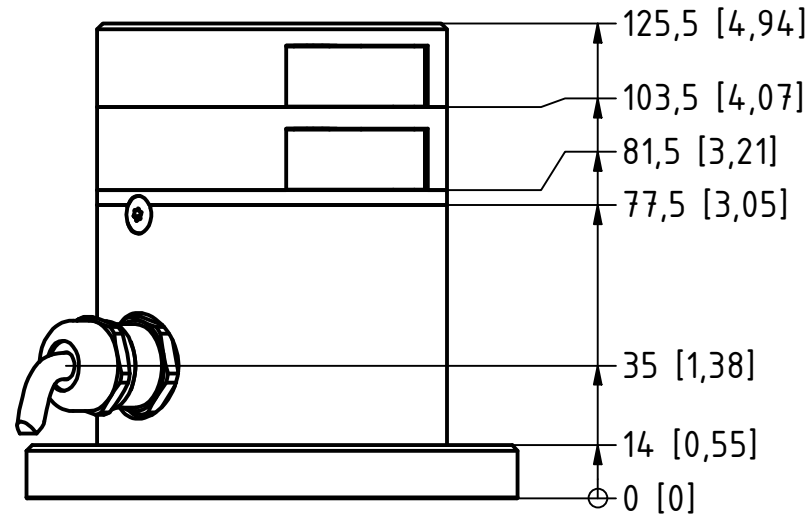
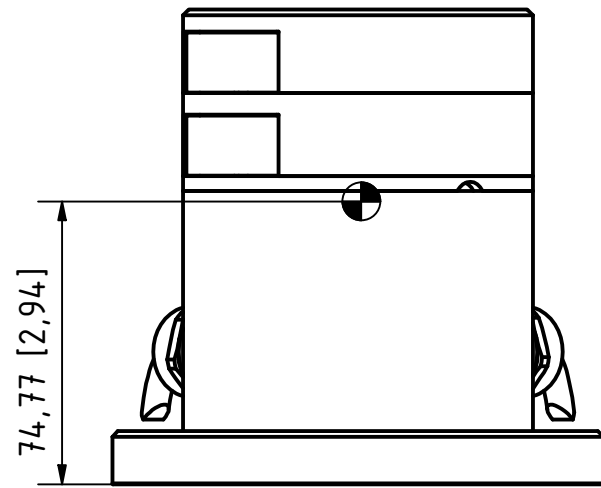
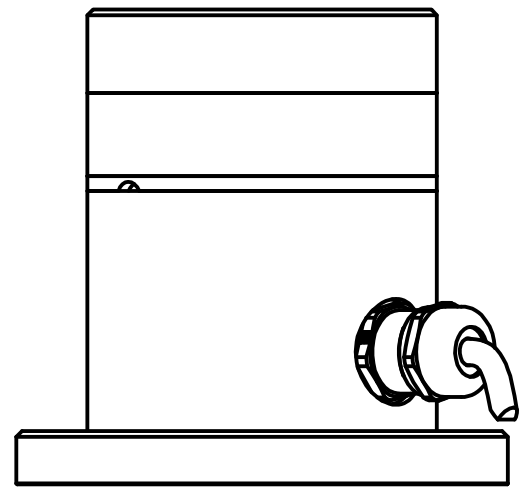


A B C D E F G H I J

1 2 3 4 5 6 7 8



Dimensions: Millimetres [Inches]  
 Estimated weight: 1,04 kg (2,3 lbs)

TITLE: <b>301-108ST-PRO-I</b> 3nm starboard, double, ice class On a 902-158 Promount base and 400-404 PE base plate					
DRAWING No.:			Sheet No.:		DRAWN BY:
301-108ST-PRO-I			1		LSA
SCALE:	SIZE:	REV. NO.:	TOLERANCES:	REVIEWED BY:	CREATION DATE:
1/2	A3		DS/ISO 2768-f		27-02-2025
MATERIAL DESCRIPTION:					
Alu. EN6082, Acrylic, POM, EO			(20µ) Silver anodized according to EN ISO 7599 (50µ) Black anodized according to MIL-A 8625F		



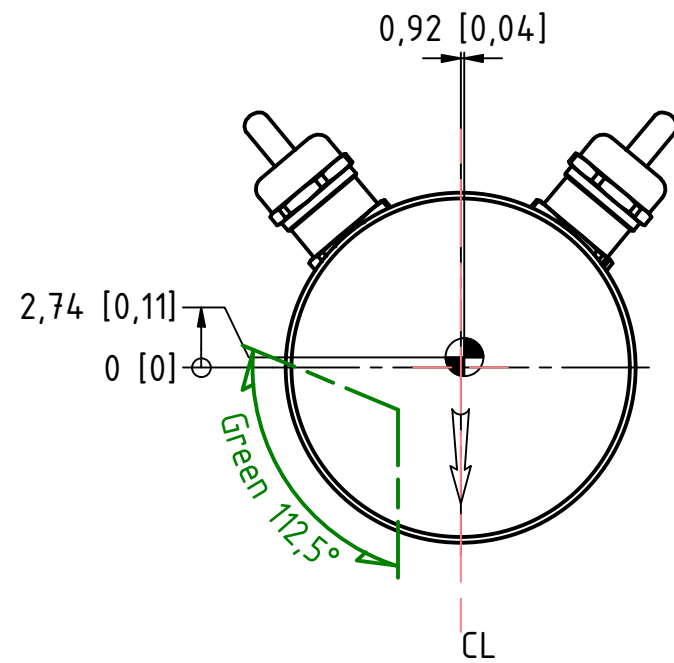
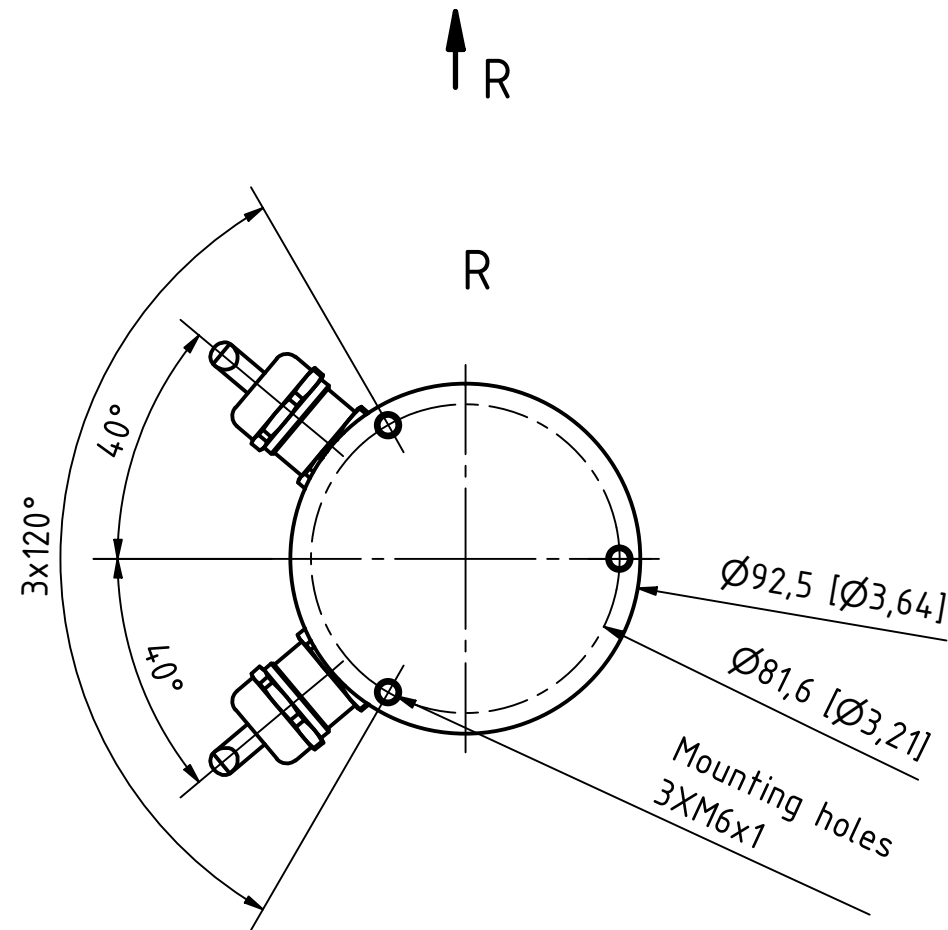
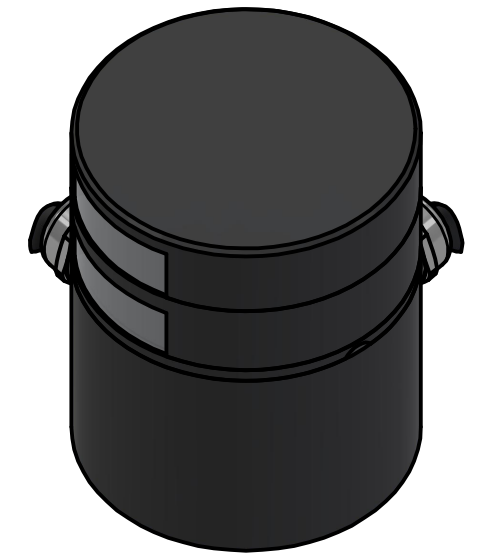
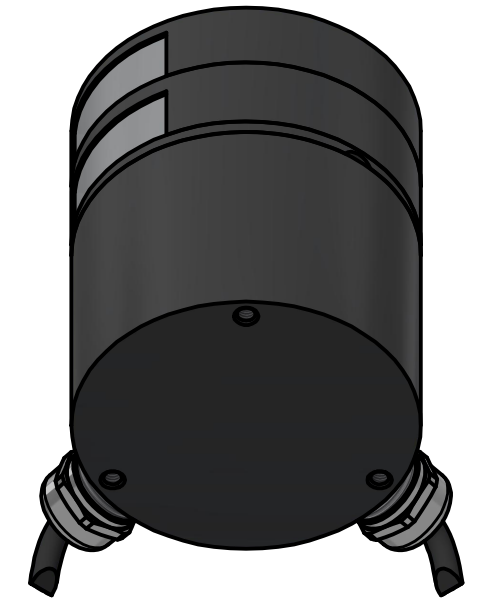
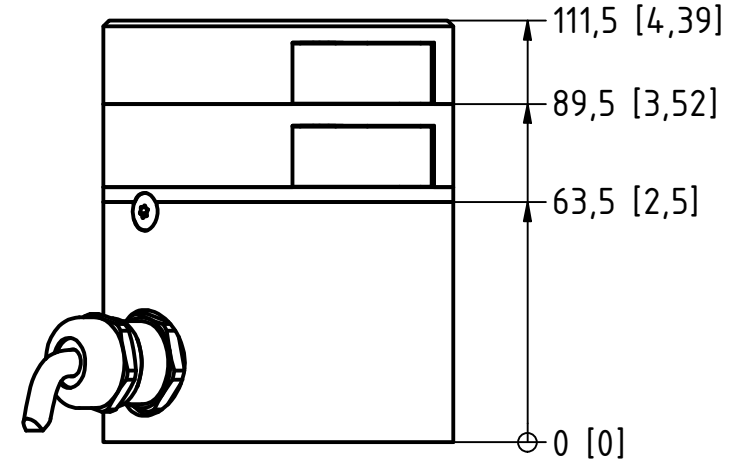
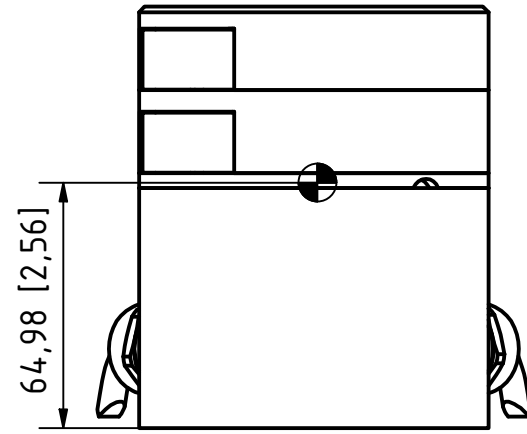
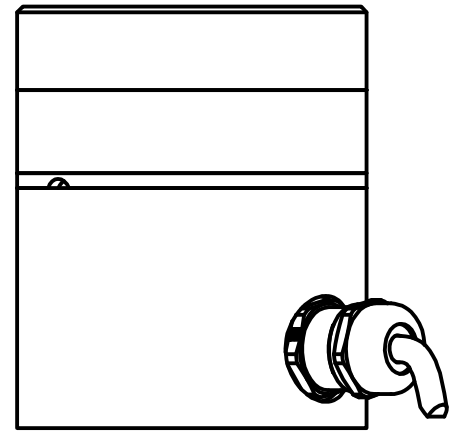
Lopolight ApS  
 Bakkegaardsvej 513  
 DK-3050, Humlebaek  
 Denmark  
 www.lopolight.com

Tel: (+45) 32 48 50 30  
 info@lopolight.com



A B C D E F G H I J

8



Dimensions: Millimetres [Inches]  
 Estimated weight: 0,98 kg (2,16 lbs)

TITLE: 301-108ST-PRO-I 3nm starboard, double, ice class					
DRAWING No.: 301-108ST-PRO-I			Sheet No.: 2	DRAWN BY: LSA	
SCALE: 1:2	SIZE: A3	REV. NO.:	TOLERANCES: DS/ISO 2768-f	REVIEWED BY:	CREATION DATE: 27-02-2025
MATERIAL DESCRIPTION: Alu. EN6082, Acrylic, POM			(20µ) Silver anodized according to EN ISO 7599 (50µ) Black anodized according to MIL-A 8625F		

This Drawing, and the information within, is the property of Lopolight ApS and may not be used in any form without express permission there from. Lopolight reserves the right to change this drawing and assumes no liability for the information communicated herein. Use of dimensions and other information in this drawing is at the users own risk.



Lopolight ApS  
 Bakkegaardsvej 513  
 DK-3050, Humlebaek  
 Denmark  
 www.lopolight.com

Tel: (+45) 32 48 50 30  
 info@lopolight.com

