

Dimensions : Millimetres [Inches]
 Estimated weight:0,94 kg (2,07 lbs)

TITLE: 301-005-PRO-EX 2nm stern, single, black Ex Zone 2 On a 400-037-EX Promount base and 400-404 PE base plate , Cable Side					
DRAWING No.: 301-005-PRO-EX				Sheet No.: 1	DRAWN BY: LSA
SCALE: 1 : 2	SIZE: A3	REV. NO.:	TOLERANCES: DS/ISO 2768-f	REVIEWED BY:	CREATION DATE: 13-08-2024
MATERIAL DESCRIPTION: Alu. EN6082, Acrylic, PE					
<small>(20µ) Silver anodized according to EN ISO 7599 (50µ) Black anodized according to MIL-A 8625F</small>					

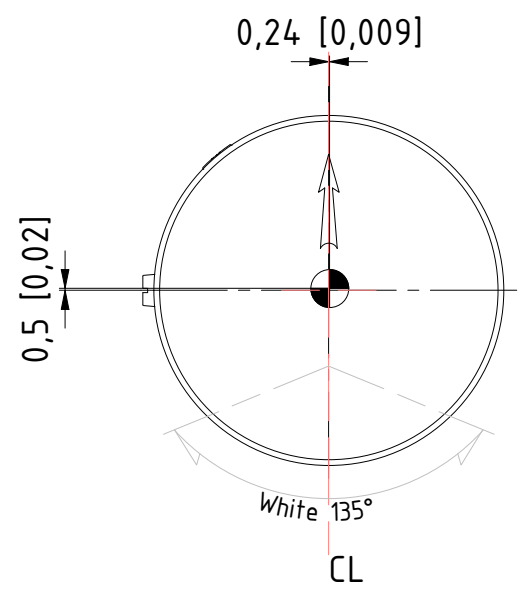
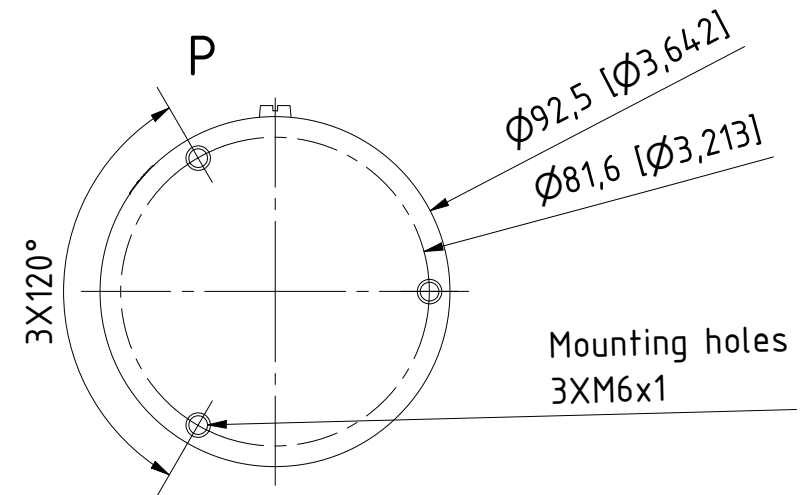
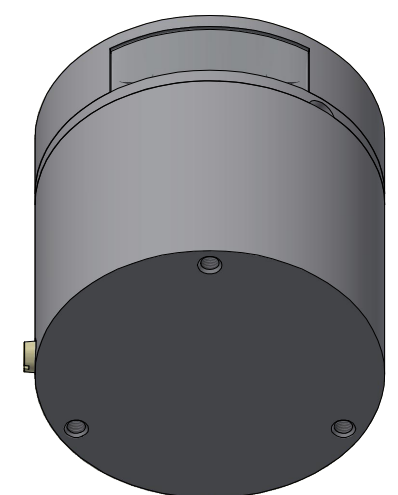
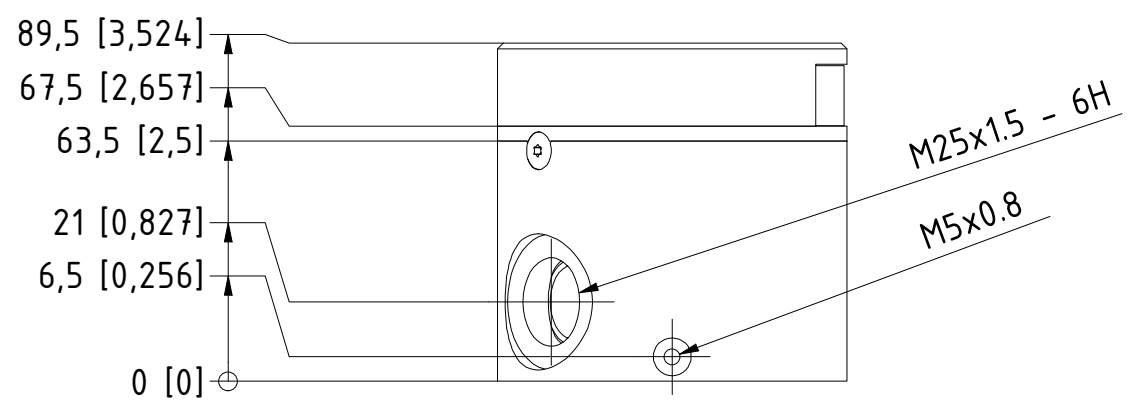
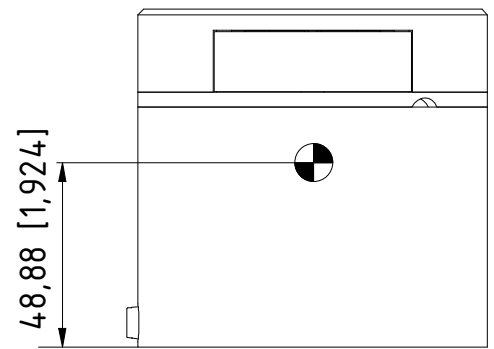
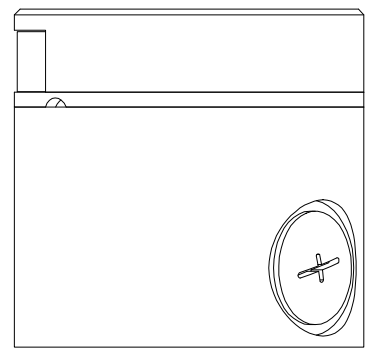
This Drawing, and the information within, is the property of Lopolight ApS and may not be used in any form without express permission there from. Lopolight reserves the right to change this drawing and assumes no liability for the information communicated herein. Use of dimensions and other information in this drawing is at the users own risk.



Lopolight ApS
 Bakkegaardsvej 513
 DK-3050, Humlebaek
 Denmark
 www.lopolight.com

Tel:(+45) 32 48 50 30
 info@lopolight.com





Dimensions : Millimetres [Inches]
 Estimated weight: 0,87 kg (1,93 lbs)

TITLE: 301-005-PRO-EX 2nm stern, single, black Ex Zone 2 On a 400-037-EX Promount base					
DRAWING No.: 301-005-PRO-EX			Sheet No.: 2	DRAWN BY: LSA	
SCALE: 1 / 2	SIZE: A3	REV. NO.:	TOLERANCES: DS/ISO 2768-f	REVIEWED BY:	CREATION DATE: 13-08-2024
MATERIAL DESCRIPTION: Alu. EN6082, Acrylic <small>(20µ) Silver anodized according to EN ISO 7599 (50µ) Black anodized according to MIL-A 8625F</small>					

LOPOLIGHT

Lopolight ApS
 Bakkegaardsvej 513
 DK-3050, Humlebaek
 Denmark
 www.lopolight.com

Tel: (+45) 32 48 50 30
 info@lopolight.com

This Drawing, and the information within, is the property of Lopolight ApS and may not be used in any form without express permission there from. Lopolight reserves the right to change this drawing and assumes no liability for the information communicated herein. Use of dimensions and other information in this drawing is at the users own risk.

