

Dimensions : Millimetres [Inches]  
 Estimated weight:0,9 kg (1,9 lbs)

|  |       |           |               |              |                |
|--|-------|-----------|---------------|--------------|----------------|
| TITLE:<br><b>201-015-PRO-I-EX</b><br>2nm 360° Green, black, Ex Zone 1&2, ice-class<br>On a 400-037-EX Promount base and 400-404 PE base plate , Cable Side |       |           |               |              |                |
| DRAWING No.:   |       |           |               | Sheet No.:   | DRAWN BY:      |
| 201-015-PRO-I-EX   |       |           |               | 1            | LSA            |
| SCALE:   | SIZE: | REV. NO.: | TOLERANCES:   | REVIEWED BY: | CREATION DATE: |
| 1 / 2  | A3    |           | DS/ISO 2768-f |              | 21-03-2024     |
| MATERIAL DESCRIPTION:  |       |           |               |              |                |
| Alu. EN6082, Acrylic, PE<br><small>(20µ) Silver anodized according to EN ISO 7599<br/>         (50µ) Black anodized according to MIL-A 8625F</small>       |       |           |               |              |                |

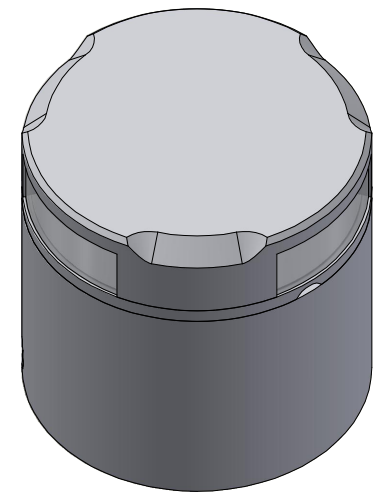
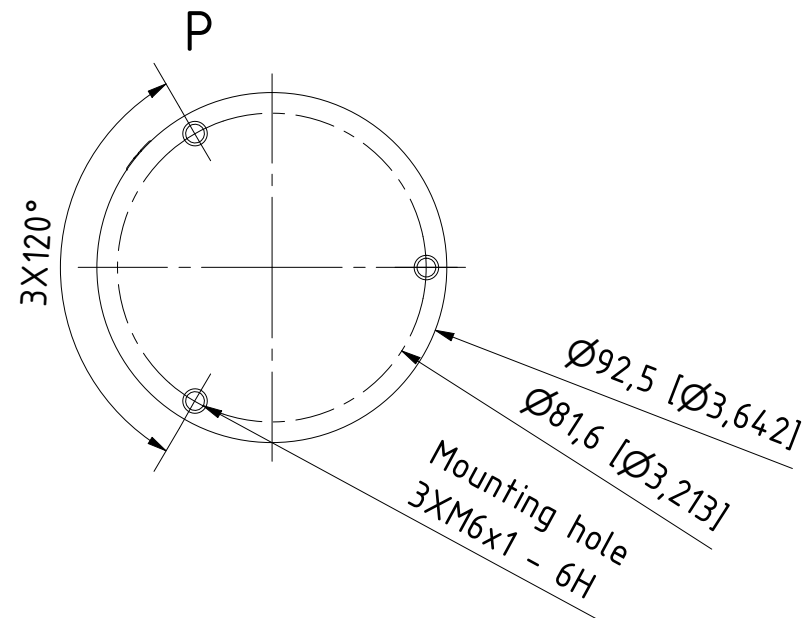
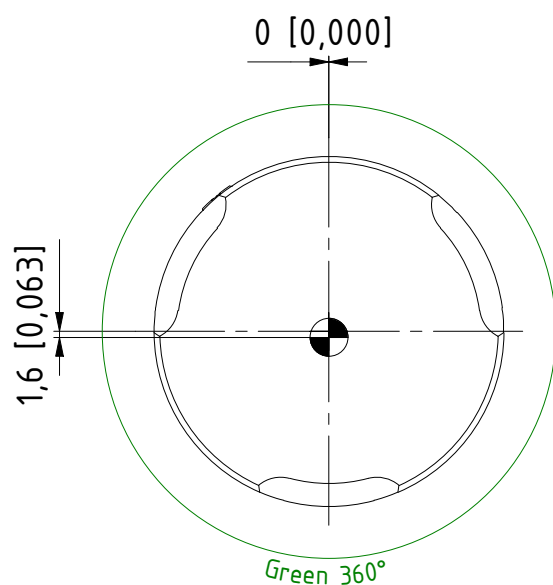
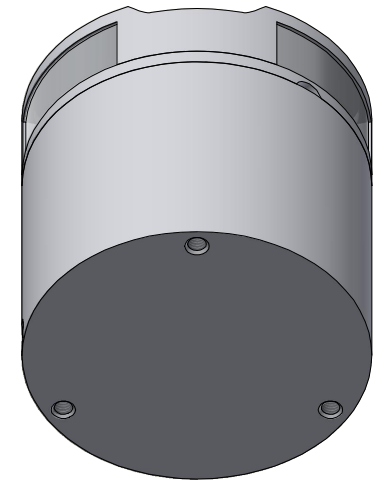
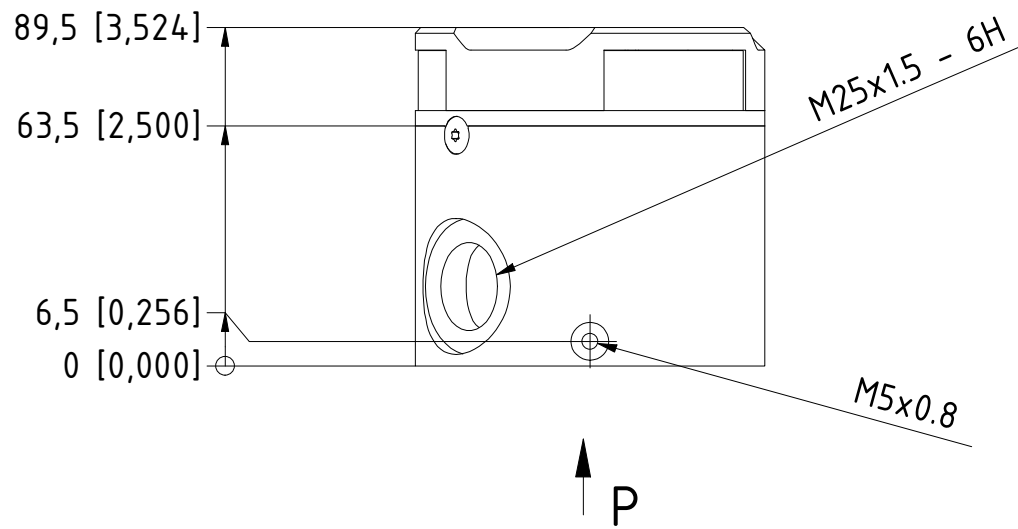
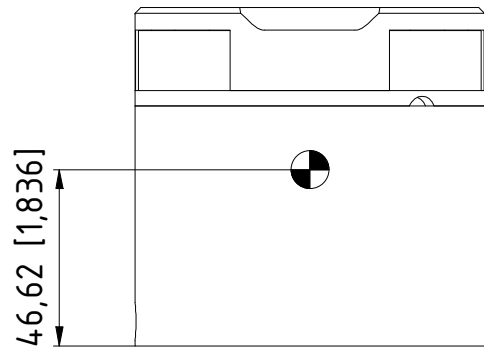
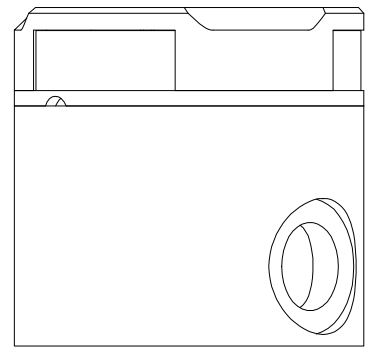


Lopolight ApS  
 Bakkegaardsvej 513  
 DK-3050, Humlebaek  
 Denmark  
 www.lopolight.com

Tel:(+45) 32 48 50 30  
 info@lopolight.com



This Drawing, and the information within, is the property of Lopolight ApS and may not be used in any form without express permission there from. Lopolight reserves the right to change this drawing and assumes no liability for the information communicated herein. Use of dimensions and other information in this drawing is at the users own risk.



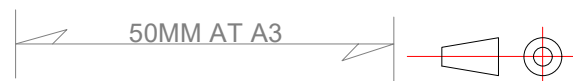
Dimensions : Millimetres [Inches]  
 Estimated weight: 0,8 kg (1,7 lbs)

|  |             |           |                              |                  |                              |
|--|-------------|-----------|------------------------------|------------------|------------------------------|
| TITLE:<br>201-015-PRO-I-EX<br>2nm 360° Green, black, Ex Zone 1&2, ice-class<br>On a 400-037-EX Promount base |             |           |                              |                  |                              |
| DRAWING No.:<br>201-015-PRO-I-EX   |             |           | Sheet No.:<br>2              | DRAWN BY:<br>LSA |                              |
| SCALE:<br>1/2  | SIZE:<br>A3 | REV. NO.: | TOLERANCES:<br>DS/ISO 2768-f | REVIEWED BY:     | CREATION DATE:<br>21-03-2024 |
| MATERIAL DESCRIPTION:<br>Alu. EN6082, Acrylic  |             |           |                              |                  |                              |
| (20µ) Silver anodized according to EN ISO 7599<br>(50µ) Black anodized according to MIL-A 8625F              |             |           |                              |                  |                              |



Lopolight ApS  
 Bakkegaardsvej 513  
 DK-3050, Humlebaek  
 Denmark  
 www.lopolight.com

Tel: (+45) 32 48 50 30  
 info@lopolight.com



This Drawing, and the information within, is the property of Lopolight ApS and may not be used in any form without express permission there from. Lopolight reserves the right to change this drawing and assumes no liability for the information communicated herein. Use of dimensions and other information in this drawing is at the users own risk.