

Dimensions: Millimetres [Inches]
 Estimated weight: 0,87 kg (1,91 lbs)

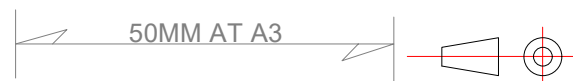
TITLE: 201-011KL 3nm Masthead On a 400-035 Promount base and 400-404 PE base plate , Cable Down					
DRAWING No.: 201-011KL			Sheet No.: 1	DRAWN BY: LSA	
SCALE: 1 : 2	SIZE: A3	REV. NO.:	TOLERANCES: DS/ISO 2768-f	REVIEWED BY:	CREATION DATE: 23-07-2024
MATERIAL DESCRIPTION: Alu. EN6082, Acrylic, PE					
<small>(20µ) Silver anodized according to EN ISO 7599 (50µ) Black anodized according to MIL-A 8625F</small>					

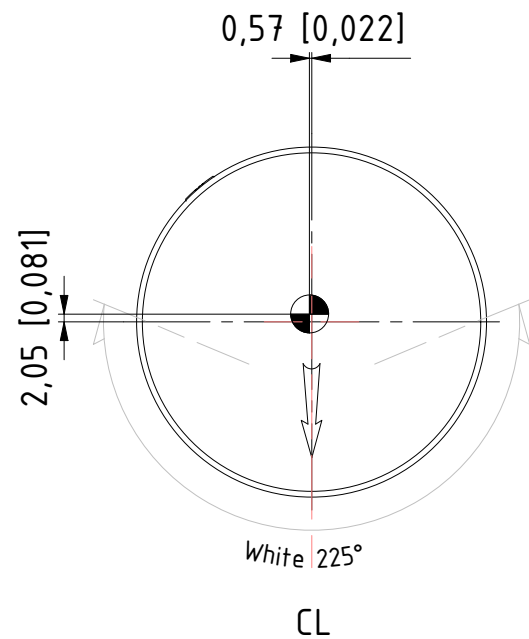
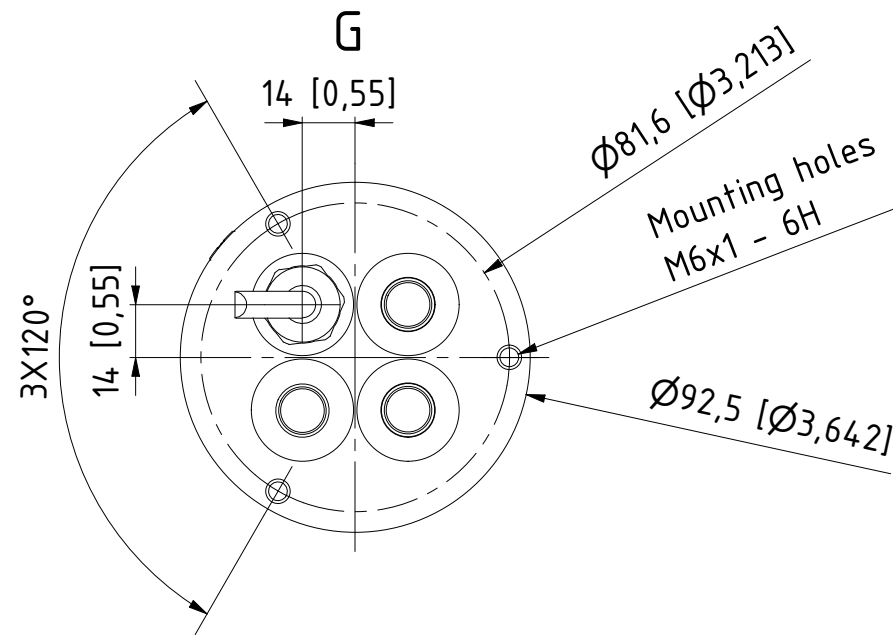
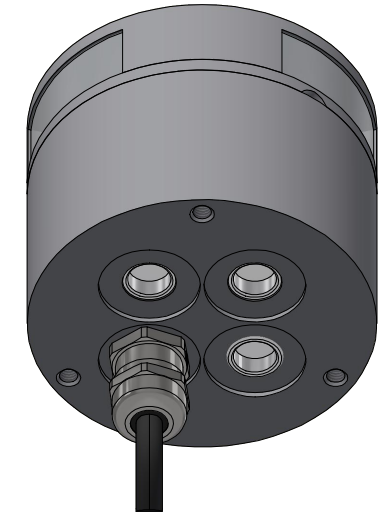
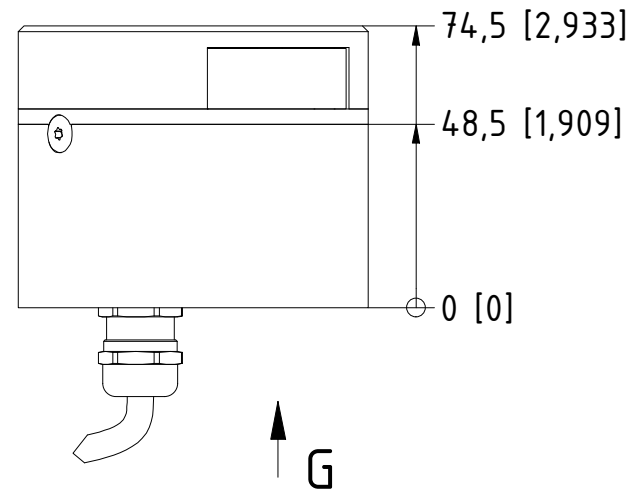
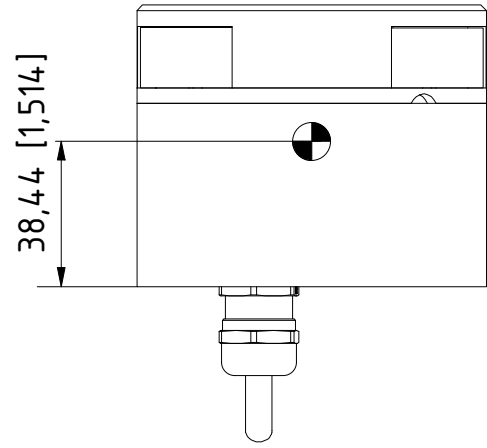
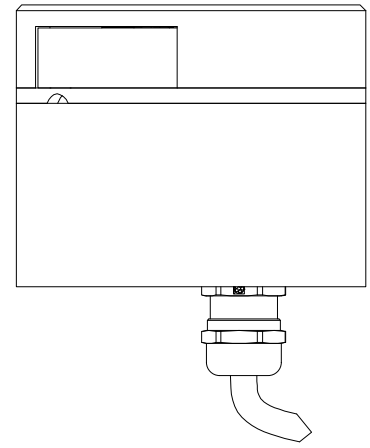
This Drawing, and the information within, is the property of Lopolight ApS and may not be used in any form without express permission there from. Lopolight reserves the right to change this drawing and assumes no liability for the information communicated herein. Use of dimensions and other information in this drawing is at the users own risk.



Lopolight ApS
 Bakkegaardsvej 513
 DK-3050, Humlebaek
 Denmark
 www.lopolight.com

Tel: (+45) 32 48 50 30
 info@lopolight.com





Dimensions: Millimetres [Inches]
 Estimated weight: 0,8 kg (1,77 lbs)

TITLE: 201-011KL 3nm Masthead On a 400-035 Promount base, Cable Down					
DRAWING No.: 201-011KL			Sheet No.: 2	DRAWN BY: LSA	
SCALE: 1 : 2	SIZE: A3	REV. NO.:	TOLERANCES: DS/ISO 2768-f	REVIEWED BY:	CREATION DATE: 23-07-2024
MATERIAL DESCRIPTION: Alu. EN6082, Acrylic					
<small>(20µ) Silver anodized according to EN ISO 7599 (50µ) Black anodized according to MIL-A 8625F</small>					

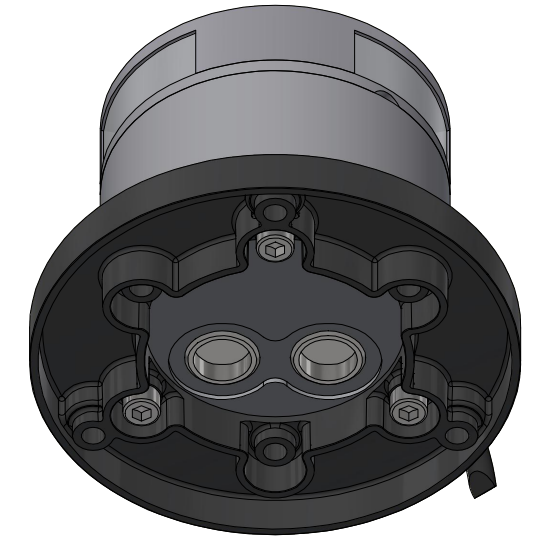
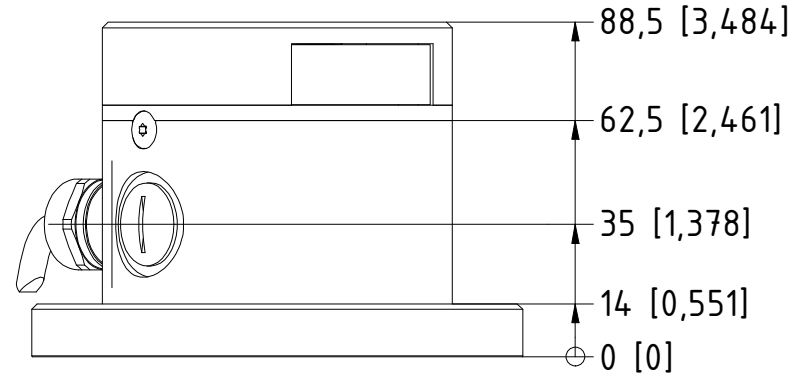
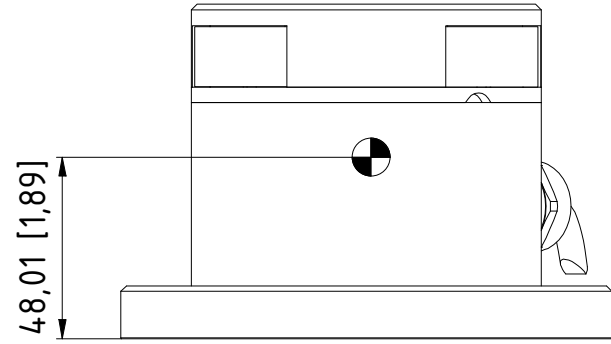
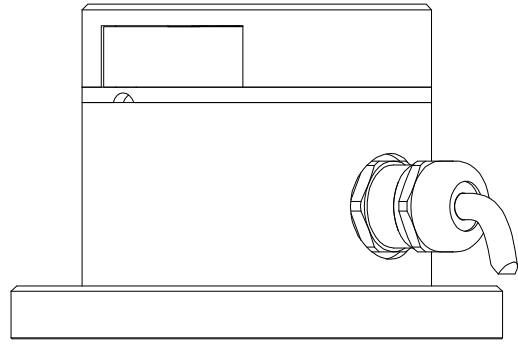


Lopolight ApS
 Bakkegaardsvej 513
 DK-3050, Humlebaek
 Denmark
 www.lopolight.com

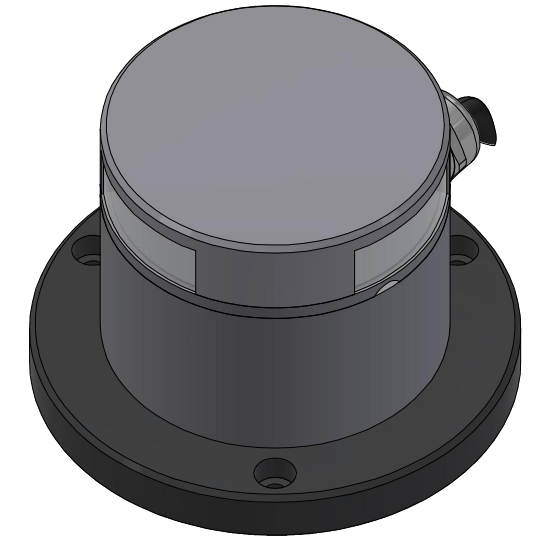
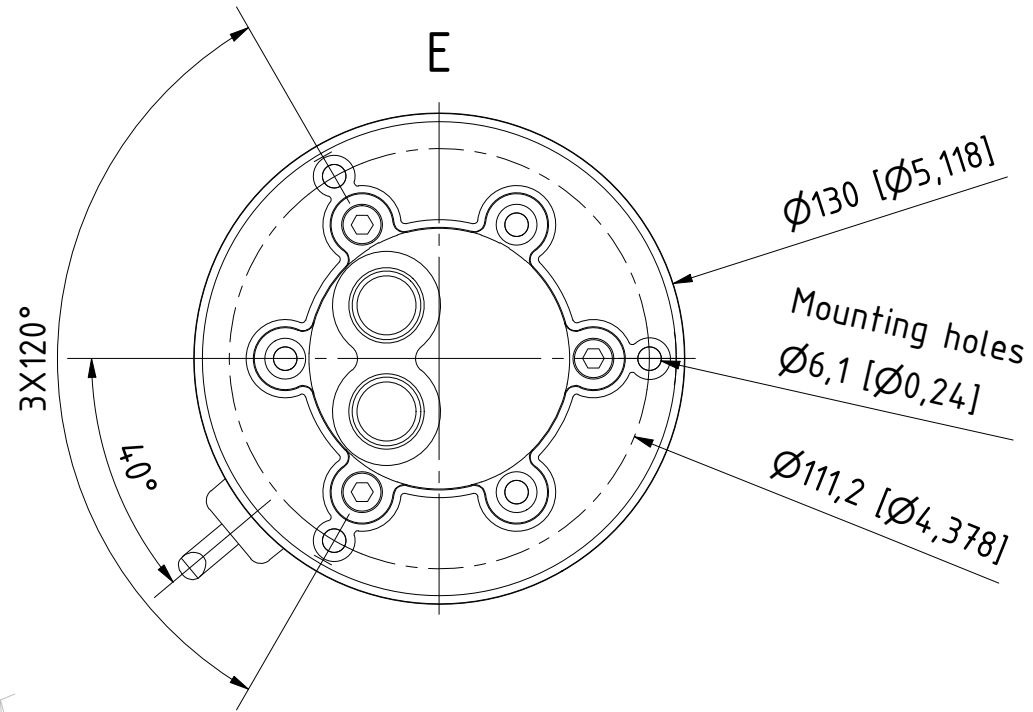
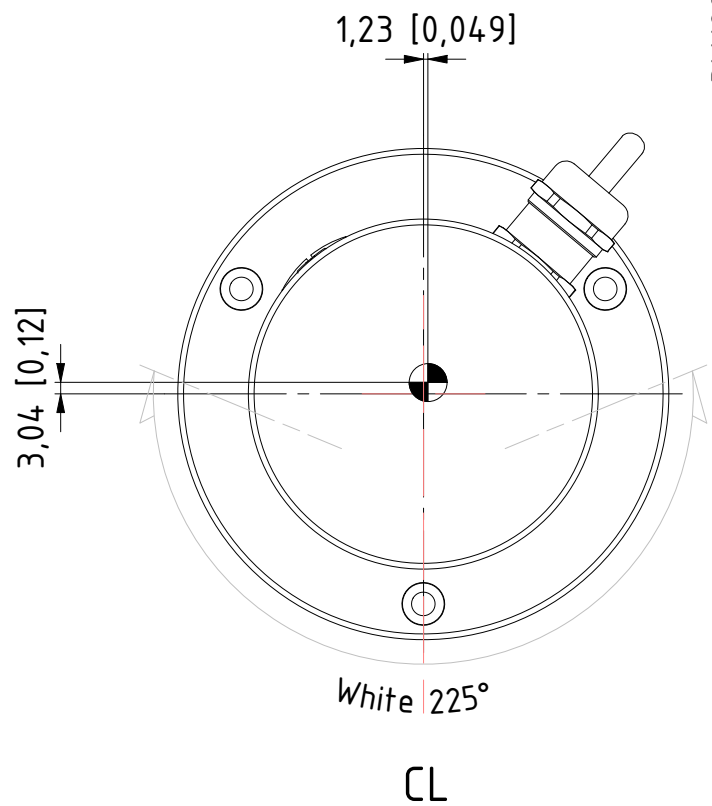
Tel: (+45) 32 48 50 30
 info@lopolight.com



This Drawing, and the information within, is the property of Lopolight ApS and may not be used in any form without express permission there from. Lopolight reserves the right to change this drawing and assumes no liability for the information communicated herein. Use of dimensions and other information in this drawing is at the users own risk.



E ↑



Dimensions: Millimetres [Inches]
 Estimated weight: 0,89 kg (1,95 lbs)

TITLE:
201-011KL
 3nm Masthead
 On a 400-034 Promount base and 400-404 PE base plate, Cable Side

DRAWING No.:	Sheet No.:	DRAWN BY:
201-011KL	3	LSA

SCALE:	SIZE:	REV. NO.:	TOLERANCES:	REVIEWED BY:	CREATION DATE:
1 : 2	A3		DS/ISO 2768-f		23-07-2024

MATERIAL DESCRIPTION:
 Alu. EN6082, Acrylic, PE
(20µ) Silver anodized according to EN ISO 7599
 (50µ) Black anodized according to MIL-A 8625F

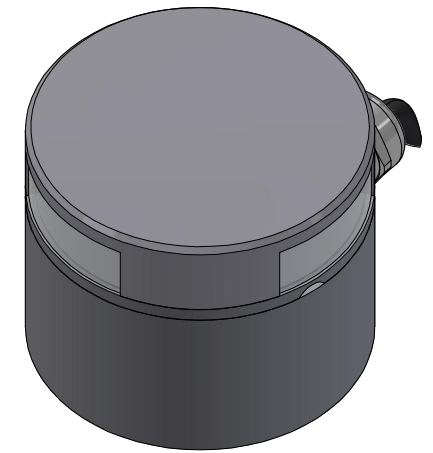
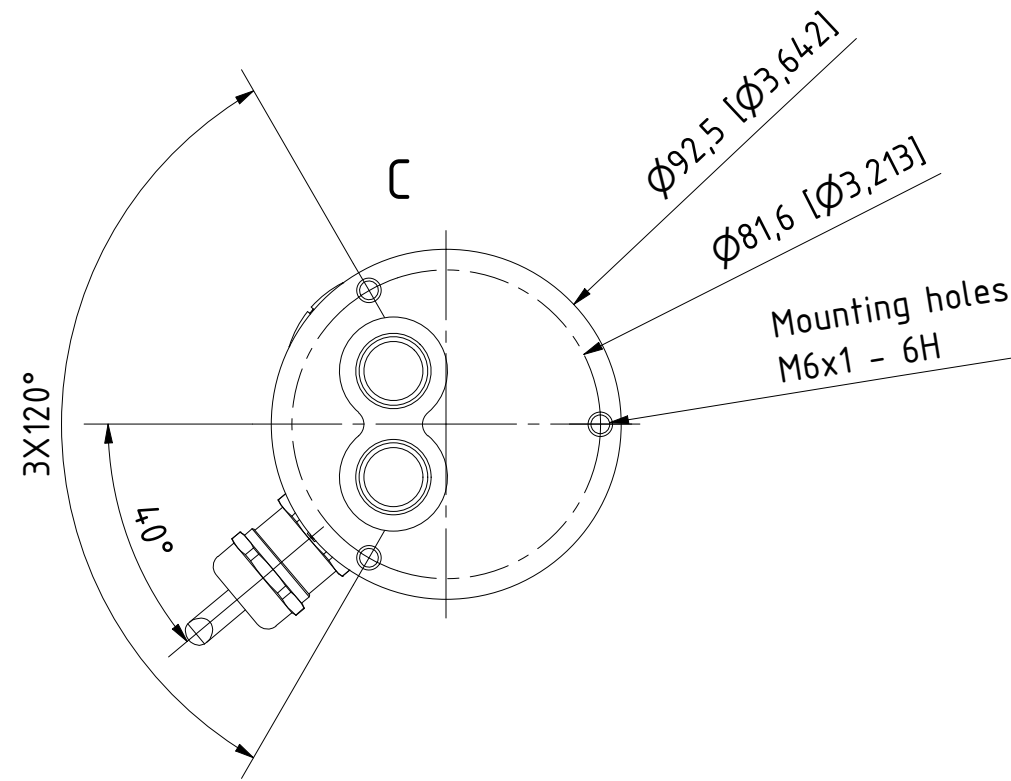
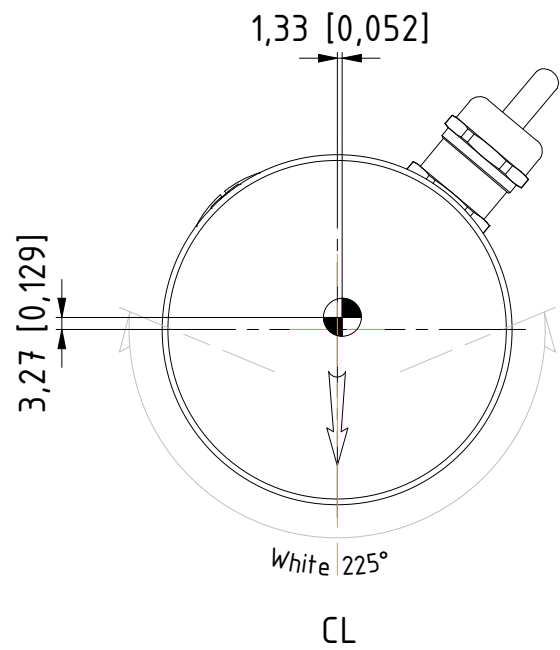
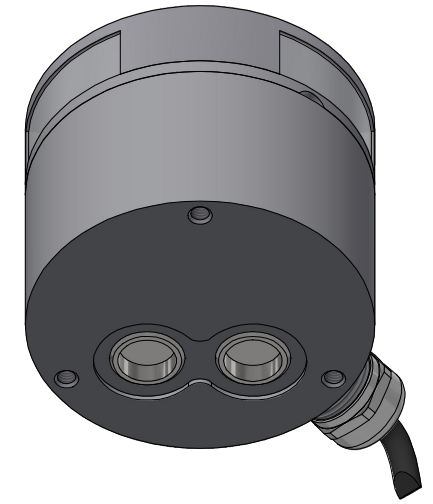
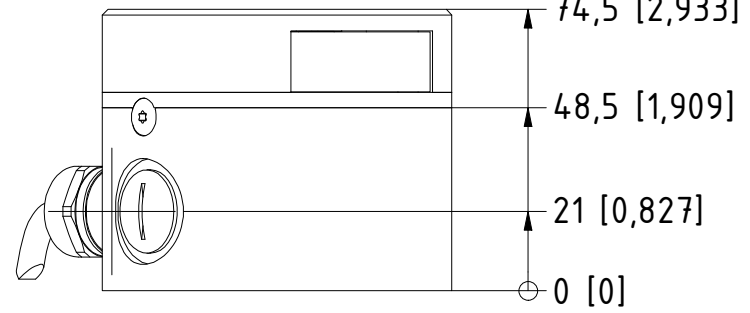
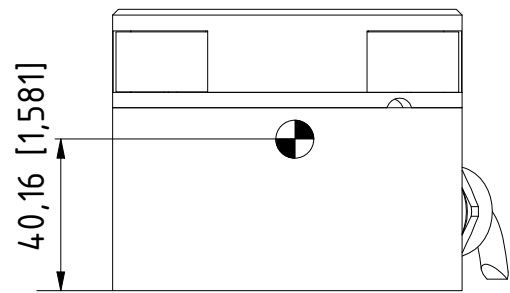
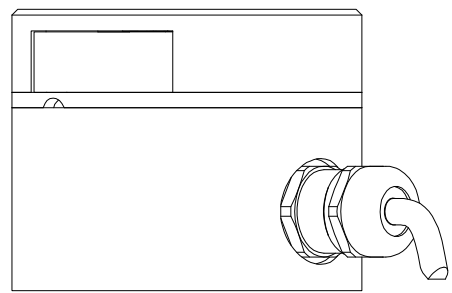
This Drawing, and the information within, is the property of Lopolight ApS and may not be used in any form without express permission there from. Lopolight reserves the right to change this drawing and assumes no liability for the information communicated herein. Use of dimensions and other information in this drawing is at the users own risk.



Lopolight ApS
 Bakkegaardsvej 513
 DK-3050, Humlebaek
 Denmark
 www.lopolight.com

Tel: (+45) 32 48 50 30
 info@lopolight.com





Dimensions: Millimetres [Inches]
 Estimated weight: 0,82 kg (1,81 lbs)

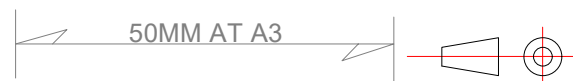
TITLE: 201-011KL 3nm Masthead On a 400-034 Promount base, Cable Side					
DRAWING No.: 201-011KL				Sheet No.: 4	DRAWN BY: LSA
SCALE: 1 : 2	SIZE: A3	REV. NO.:	TOLERANCES: DS/ISO 2768-f	REVIEWED BY:	CREATION DATE: 23-07-2024
MATERIAL DESCRIPTION: Alu. EN6082, Acrylic					
<small>(20µ) Silver anodized according to EN ISO 7599 (50µ) Black anodized according to MIL-A 8625F</small>					

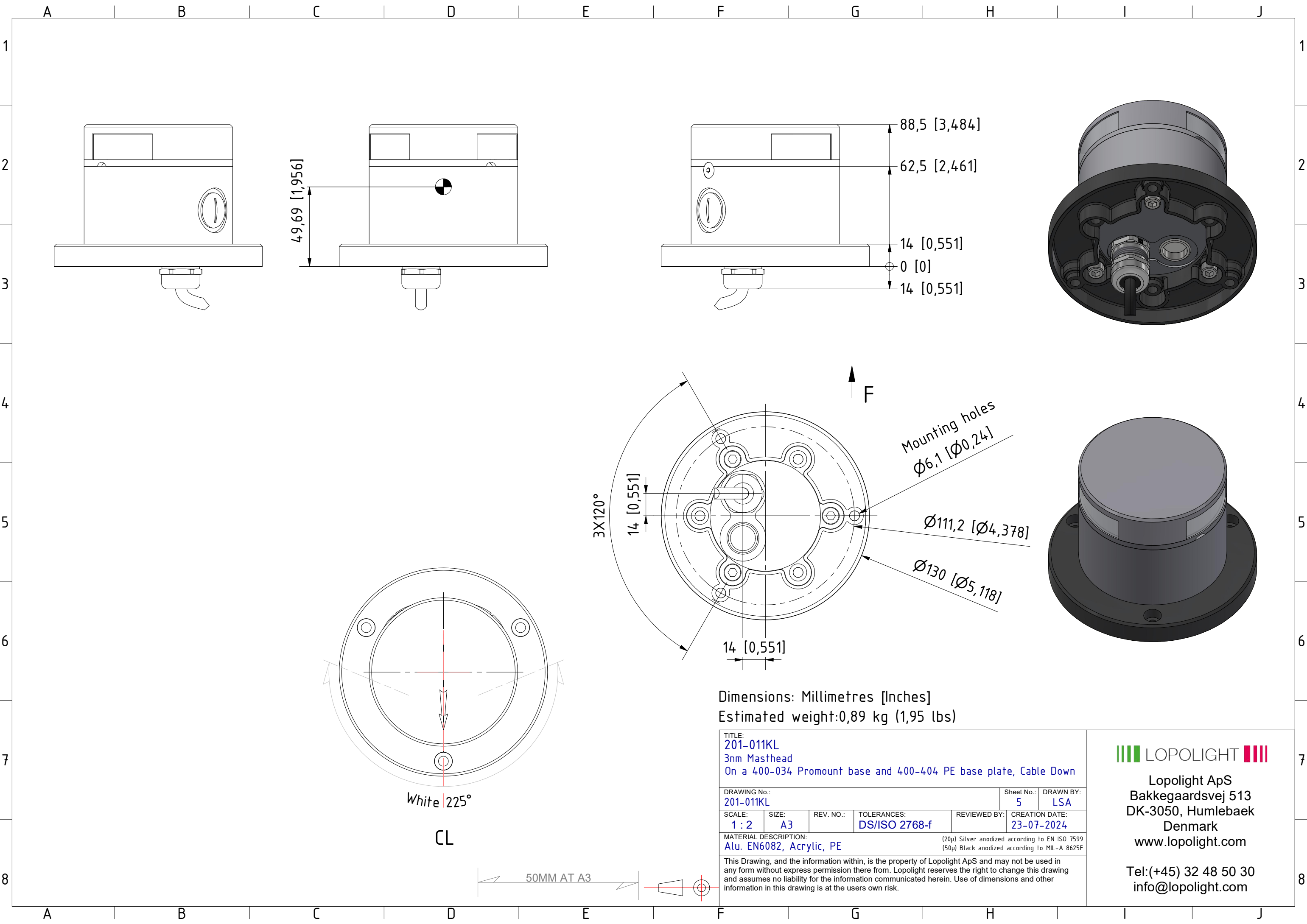
This Drawing, and the information within, is the property of Lopolight ApS and may not be used in any form without express permission there from. Lopolight reserves the right to change this drawing and assumes no liability for the information communicated herein. Use of dimensions and other information in this drawing is at the users own risk.



Lopolight ApS
 Bakkegaardsvej 513
 DK-3050, Humlebaek
 Denmark
 www.lopolight.com

Tel: (+45) 32 48 50 30
 info@lopolight.com





Dimensions: Millimetres [Inches]
 Estimated weight: 0,89 kg (1,95 lbs)

TITLE: 201-011KL 3nm Masthead On a 400-034 Promount base and 400-404 PE base plate, Cable Down					
DRAWING No.: 201-011KL			Sheet No.: 5		DRAWN BY: LSA
SCALE: 1 : 2	SIZE: A3	REV. NO.:	TOLERANCES: DS/ISO 2768-f	REVIEWED BY:	CREATION DATE: 23-07-2024
MATERIAL DESCRIPTION: Alu. EN6082, Acrylic, PE					
<small>(20µ) Silver anodized according to EN ISO 7599 (50µ) Black anodized according to MIL-A 8625F</small>					

This Drawing, and the information within, is the property of Lopolight ApS and may not be used in any form without express permission there from. Lopolight reserves the right to change this drawing and assumes no liability for the information communicated herein. Use of dimensions and other information in this drawing is at the users own risk.

LOPOLIGHT

Lopolight ApS
 Bakkegaardsvej 513
 DK-3050, Humlebaek
 Denmark
 www.lopolight.com

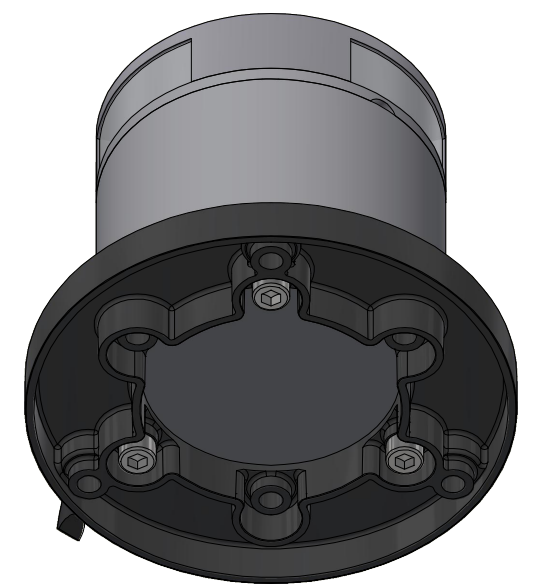
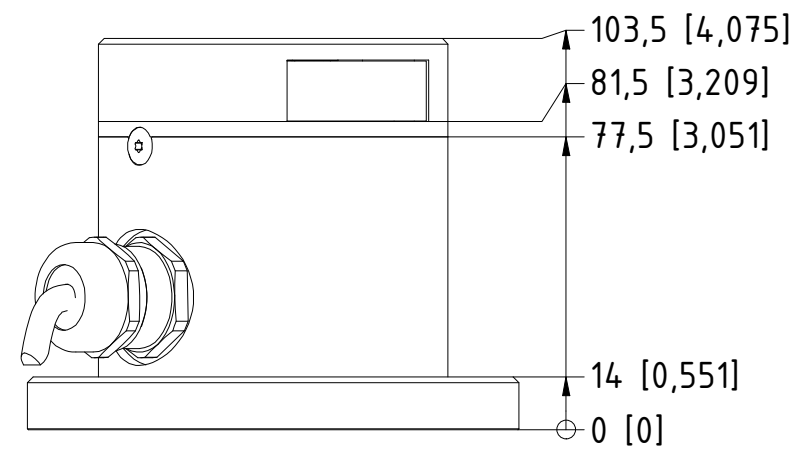
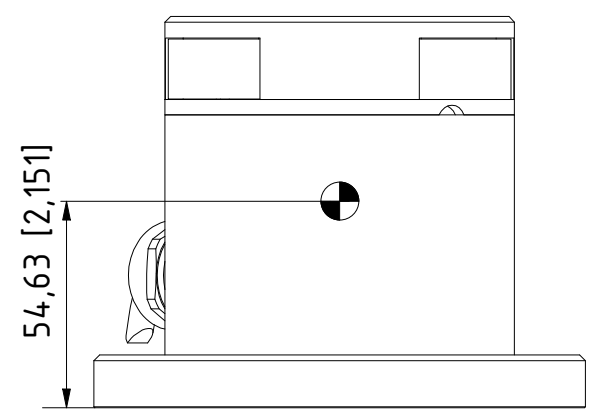
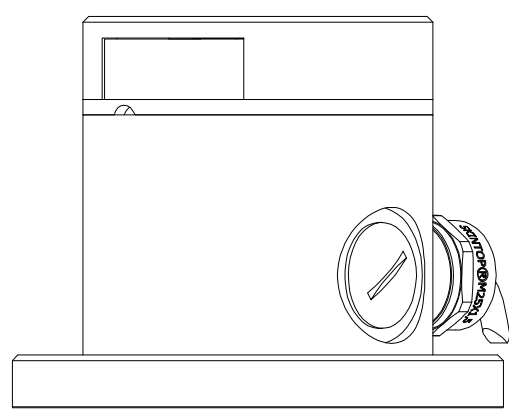
Tel: (+45) 32 48 50 30
 info@lopolight.com

50MM AT A3

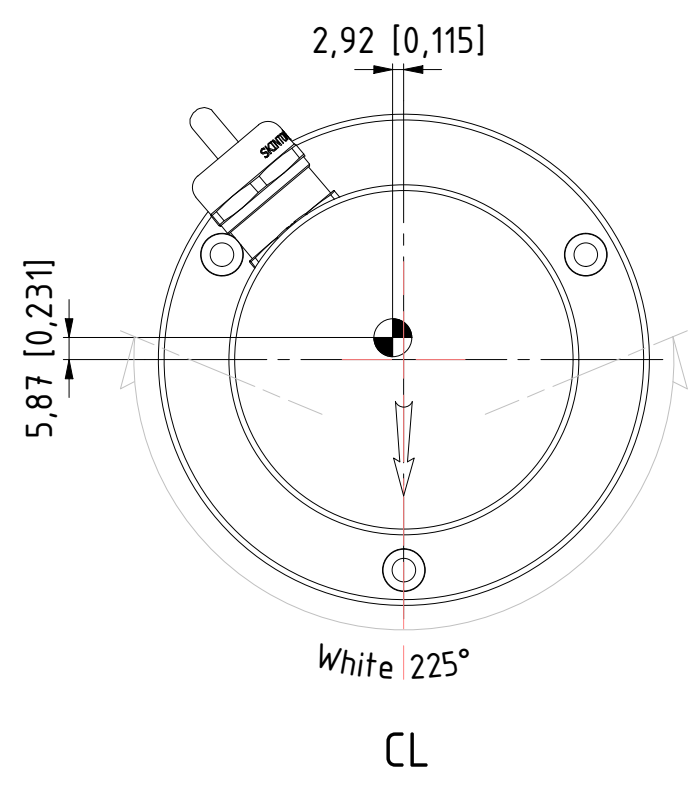
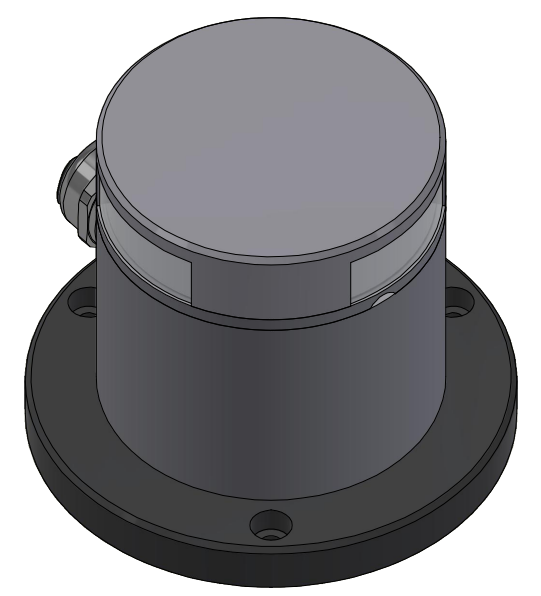
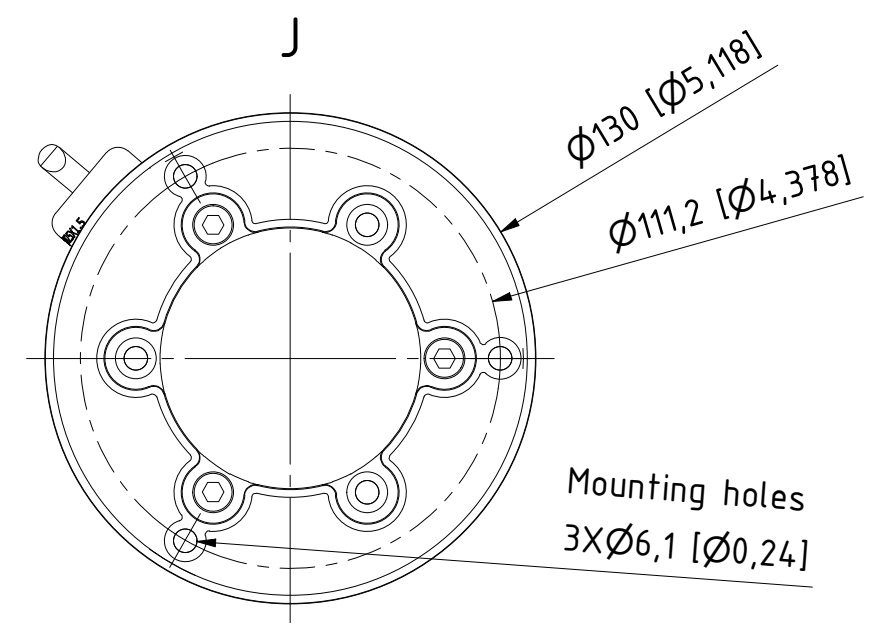
A B C D E F G H I J

1
2
3
4
5
6
7
8

1
2
3
4
5
6
7
8



J ↑



Dimensions: Millimetres [Inches]
Estimated weight: 1,05 kg (2,32 lbs)

TITLE: 201-011KL 3nm Masthead On a 400-037 Promount base and 400-404 PE base plate , Cable Side					
DRAWING No.: 201-011KL			Sheet No.: 6	DRAWN BY: LSA	
SCALE: 1 : 2	SIZE: A3	REV. NO.:	TOLERANCES: DS/ISO 2768-f	REVIEWED BY:	CREATION DATE: 23-07-2024
MATERIAL DESCRIPTION: Alu. EN6082, Acrylic, PE					
<small>(20µ) Silver anodized according to EN ISO 7599 (50µ) Black anodized according to MIL-A 8625F</small>					

This Drawing, and the information within, is the property of Lopolight ApS and may not be used in any form without express permission there from. Lopolight reserves the right to change this drawing and assumes no liability for the information communicated herein. Use of dimensions and other information in this drawing is at the users own risk.



Lopolight ApS
Bakkegaardsvej 513
DK-3050, Humlebaek
Denmark
www.lopolight.com

Tel: (+45) 32 48 50 30
info@lopolight.com



A B C D E F G H I J