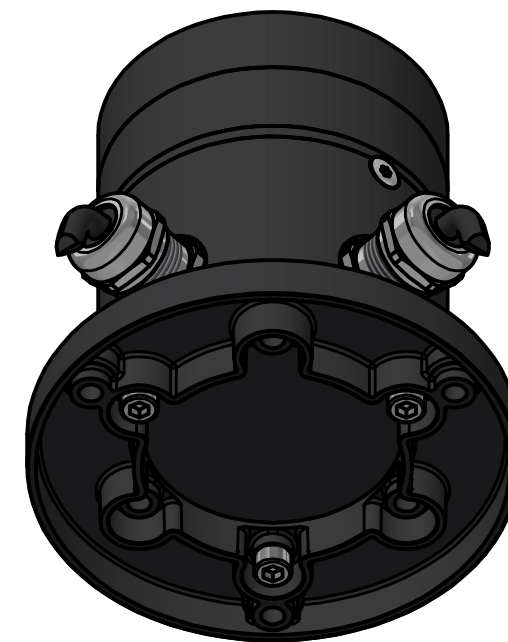
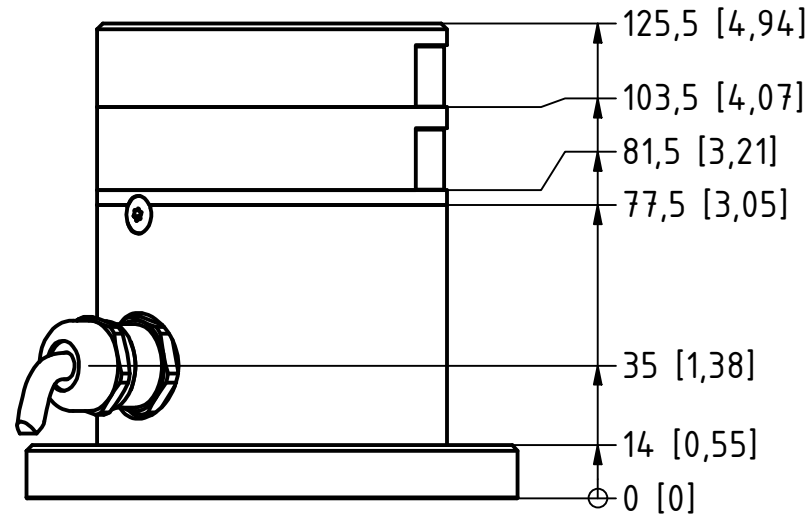
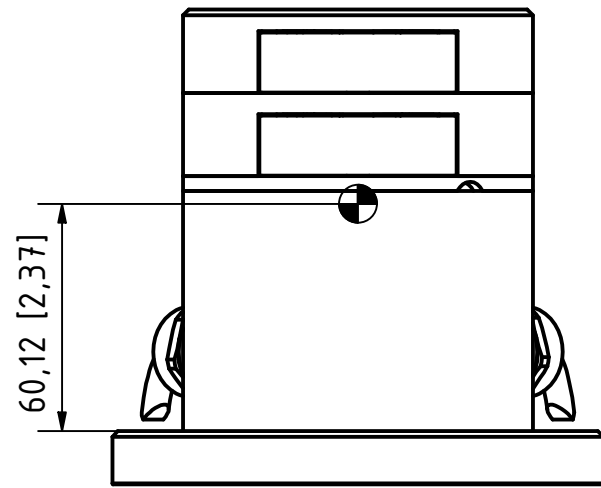
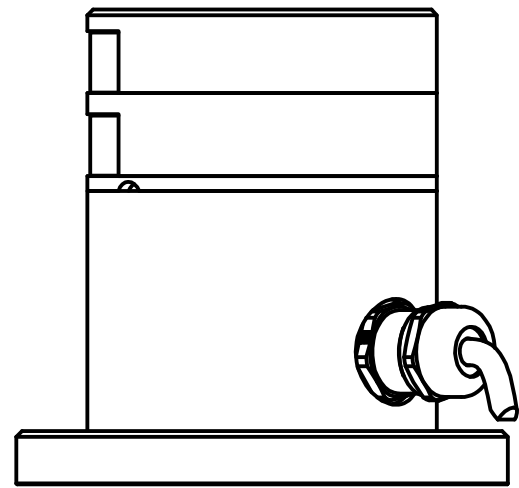


A B C D E F G H I J

1

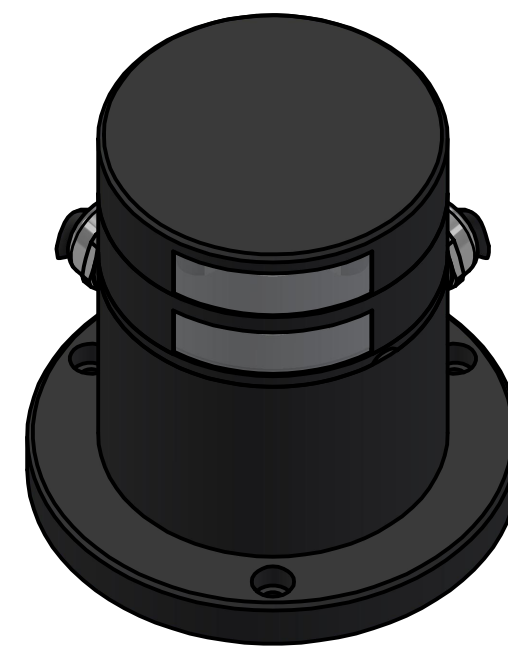
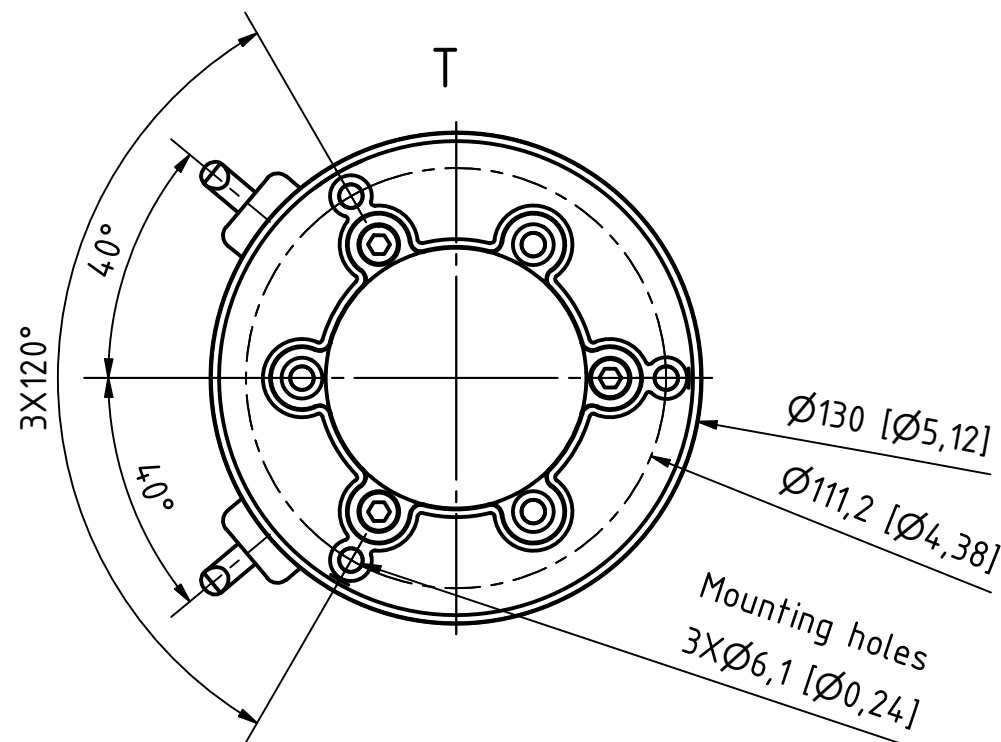


2

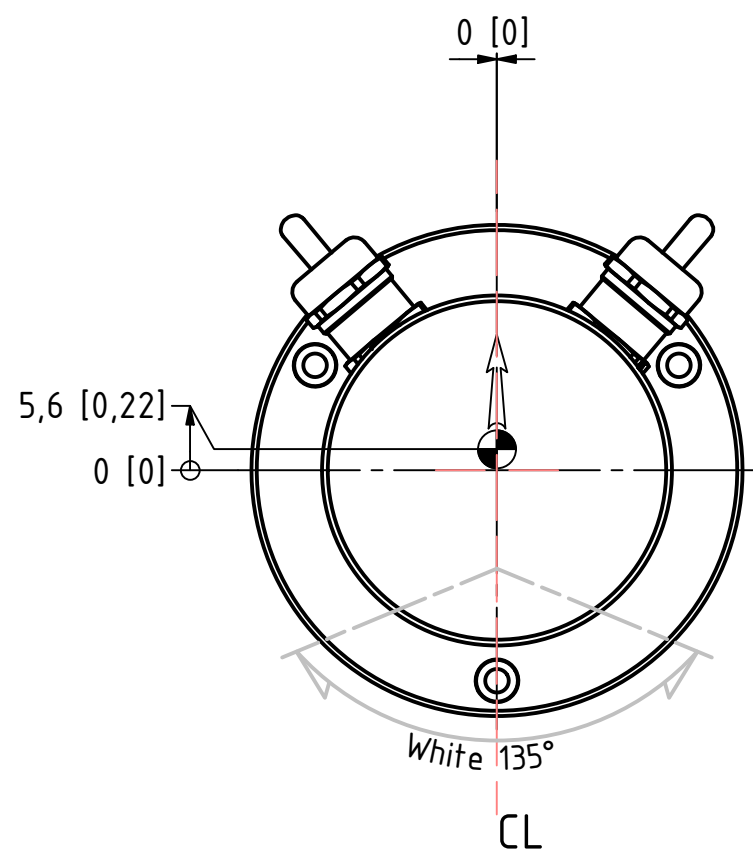
3



4



5



6

7

Dimensions: Millimetres [Inches]
 Estimated weight: 1,02 kg (2,25 lbs)

TITLE: 301-105ST-PRO-I 3nm dbl stern light, Ice class On a 400-404 PE base plate					
DRAWING No.: 301-105ST-PRO-I				Sheet No.: 1	DRAWN BY: LSA
SCALE: 1/2	SIZE: A3	REV. NO.:	TOLERANCES: DS/ISO 2768-f	REVIEWED BY:	CREATION DATE: 21-02-2025
MATERIAL DESCRIPTION: Alu. EN6082, Acrylic, POM, EP <small>(20µ) Silver anodized according to EN ISO 7599 (50µ) Black anodized according to MIL-A 8625F</small>					



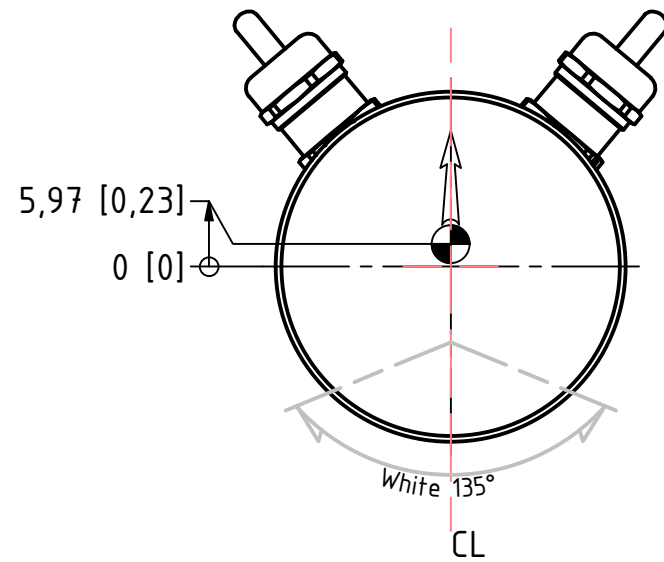
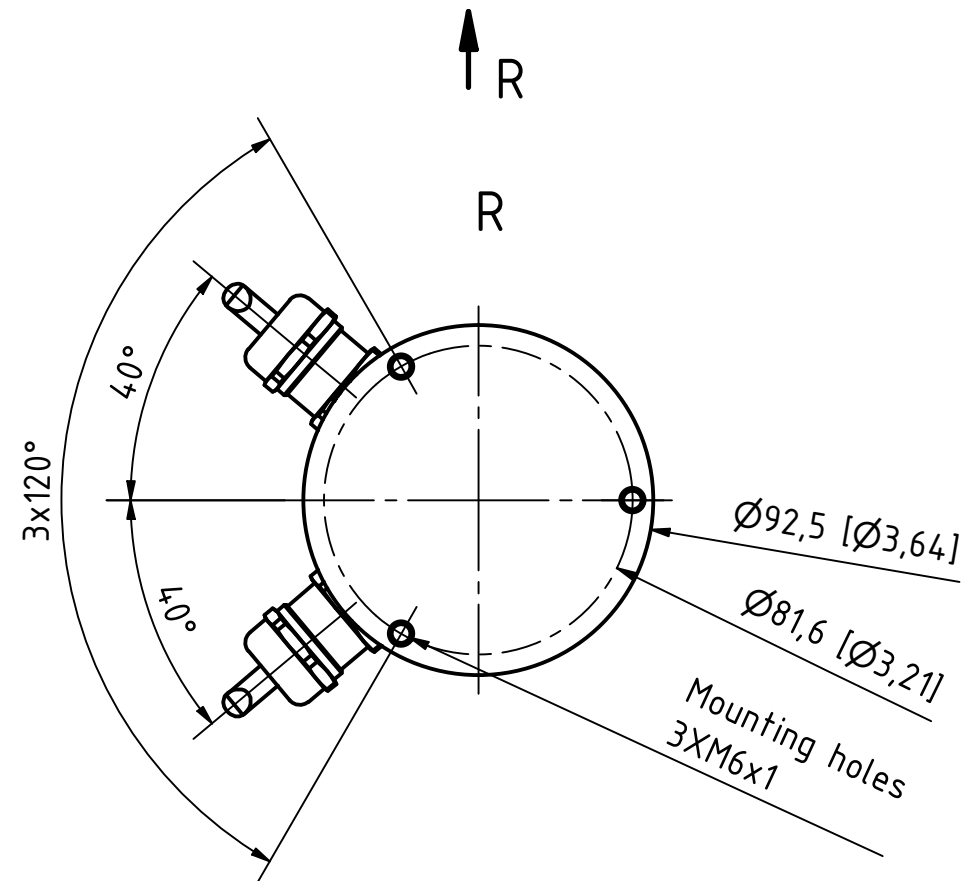
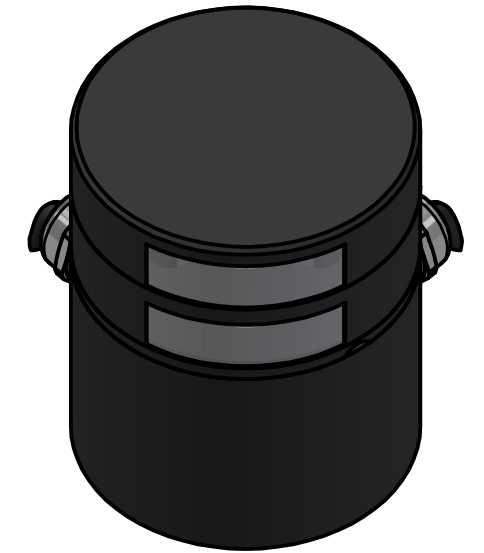
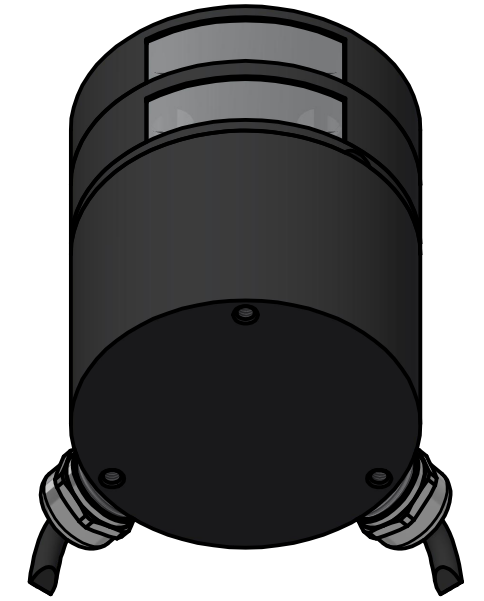
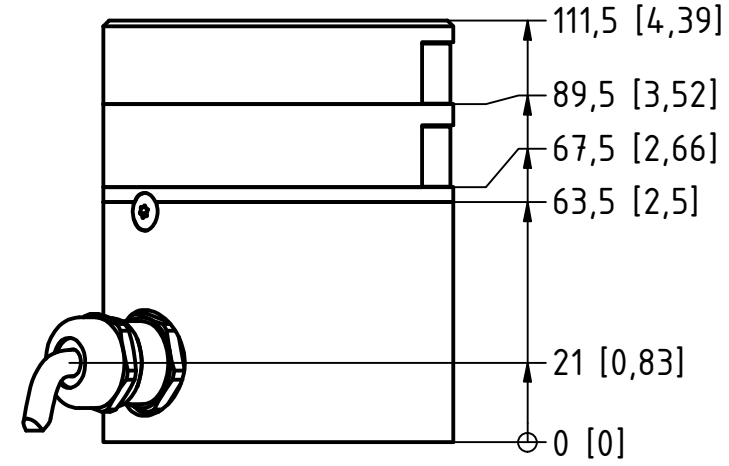
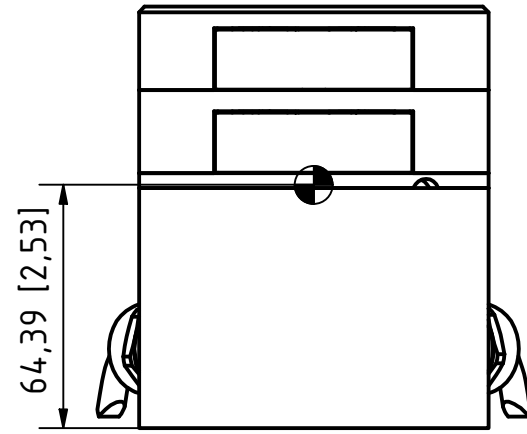
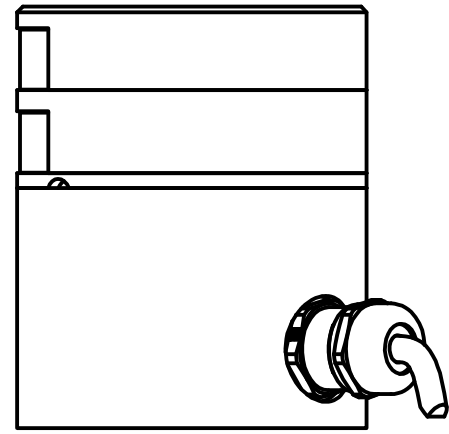
Lopolight ApS
 Bakkegaardsvej 513
 DK-3050, Humlebaek
 Denmark
 www.lopolight.com

Tel: (+45) 32 48 50 30
 info@lopolight.com



8

A B C D E F G H I J



Dimensions: Millimetres [Inches]
 Estimated weight: 0,96 kg (2,11 lbs)

TITLE: 301-105ST-PRO-I 3nm dbl stern light, Ice class					
DRAWING No.: 301-105ST-PRO-I				Sheet No.: 2	DRAWN BY: LSA
SCALE: 1 : 2	SIZE: A3	REV. NO.:	TOLERANCES: DS/ISO 2768-f	REVIEWED BY:	CREATION DATE: 21-02-2025
MATERIAL DESCRIPTION: Alu. EN6082, Acrylic, POM					
(20µ) Silver anodized according to EN ISO 7599 (50µ) Black anodized according to MIL-A 8625F					



Lopolight ApS
 Bakkegaardsvej 513
 DK-3050, Humlebaek
 Denmark
 www.lopolight.com

Tel: (+45) 32 48 50 30
 info@lopolight.com



This Drawing, and the information within, is the property of Lopolight ApS and may not be used in any form without express permission there from. Lopolight reserves the right to change this drawing and assumes no liability for the information communicated herein. Use of dimensions and other information in this drawing is at the users own risk.